

A Division of Systems, LLC

**DLM**  
**DOCK LEVELER**  
**MANUFACTURING**

# DH Series

## Dock Leveler

### Owner's/User's Manual



**DLM** • Division of Systems, LLC • W194 N11481 McCormick Drive • Germantown, WI 53022

800.643.5424 • fax: 262.255.5917 • [www.dlmdocks.com](http://www.dlmdocks.com) • [techservices@loadingdocksystems.com](mailto:techservices@loadingdocksystems.com)

Printed in U.S.A.

© 2021 Systems, LLC - All Rights Reserved

Manual No. 4111-0003

Apr. 2021

# Table of Contents

|   | Page       |
|---|------------|
| <b>Precautions</b>                                  |            |
| Recognize Precautionary Information .....           | 1          |
| General Operational Precautions .....               | 1          |
| Operational Precautions .....                       | 2          |
| Safety Decals.....                                  | 4          |
| Placard .....                                       | 5          |
| Owner's User's Responsibilities .....               | 6          |
| <b>Introduction</b>                                 |            |
| General Information .....                           | 8          |
| Component Identification.....                       | 9          |
| <b>Installation</b>                                 |            |
| Installation Precautions .....                      | 10         |
| Prepare Pit .....                                   | 12         |
| Prepare Dock Leveler .....                          | 13         |
| Install Dock Leveler .....                          | 14         |
| Install Control Panel and Wiring .....              | 20         |
| Placard Installation Instructions .....             | 22         |
| Put New Dock Leveler Into Service.....              | 23         |
| <b>Operation</b>                                    |            |
| Operational Precautions .....                       | 24         |
| Ramp Loading/Unloading Instructions.....            | 26         |
| End Loading/Unloading Instructions .....            | 27         |
| Optional Equipment.....                             | 28         |
| <b>Maintenance</b>                                  |            |
| Maintenance Precautions.....                        | 29         |
| Periodic Maintenance .....                          | 30         |
| <b>Adjustments</b>                                  |            |
| Valve Adjustments (Monarch/Bucher Powerpacks).....  | 32         |
| Valve Adjustments (Hoke/KTI Powerpacks).....        | 34         |
| Valve Adjustments (Bucher 60K or 10' Levelers)..... | 36         |
| Adjust Auto Return To Dock (ARTD) .....             | 38         |
| Adjust Leveler Stored Switch .....                  | 41         |
| <b>Troubleshooting</b>                              |            |
| Troubleshooting.....                                | 42         |
| <b>Parts</b>  |            |
| Danfoss Control Box .....                           | 46         |
| Optional Electrical Parts .....                     | 47         |
| Frame and Platform .....                            | 48         |
| Hydraulic Components.....                           | 50         |
| Powerpack Assembly .....                            | 52         |
| Valve Block - Emergency Stop/Lip Out .....          | 56         |
| Weather Seal .....                                  | 57         |
| Toe Guards .....                                    | 58         |
| <b>Miscellaneous</b>                                |            |
| Customer Information .....                          | 59         |
| Warranty.....                                       | Back Cover |

# PRECAUTIONS

## Recognize Precautionary Information

### Safety-Alert Symbol



The Safety-Alert Symbol is a graphic representation intended to convey a safety message without the use of words. When you see this symbol, be alert to the possibility of death or serious injury. Follow the instructions in the safety message panel.

### **DANGER**

The use of the word DANGER signifies the presence of an extreme hazard or unsafe practice which will most likely result in death or severe injury.

### **WARNING**

The use of the word WARNING signifies the presence of a serious hazard or unsafe practice which could result in death or serious injury.

### **CAUTION**

The use of the word CAUTION signifies possible hazard or unsafe practice which could result in minor or moderate injury.

### **NOTICE**

The use of the word NOTICE indicates information considered important, but not hazard-related, to prevent machine or property damage.

## SAFETY INSTRUCTIONS

Indicates a type of safety sign, or separate panel on a safety sign, where safety-related instructions or procedures are described.

## General Operational Precautions



Read and understand the Owner's/User's Manual and become thoroughly familiar with the equipment and its controls before operating the dock leveler.

Never operate a dock leveler while a safety device or guard is removed or disconnected.

Never remove DANGER, WARNING, or CAUTION signs, Placards or Decals on the equipment unless replacing them.

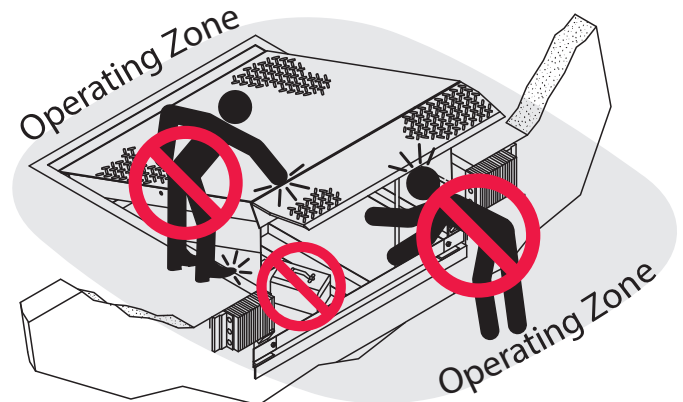


Figure 1

Do not start the equipment until all unauthorized personnel in the area have been warned and have moved outside the operating zone (see Figure 1).

Remove any tools or foreign objects from the operating zone before starting.

Keep the operating zone free of obstacles that could cause a person to trip or fall.



**WARNING:** This product can expose you to chemicals including lead, which are known to the State of California to cause cancer or birth defects or other reproductive harm. For more information go to [www.P65Warnings.ca.gov](http://www.P65Warnings.ca.gov)

# PRECAUTIONS

## Operational Precautions



Learn the safe way to operate this equipment. Read and understand the manufacturer's instructions. If you have any questions, ask your supervisor.

### **DANGER**



Stay clear of dock leveling device when transport vehicle is entering or leaving area.



Do not move or use the dock leveling device if anyone is under or in front of it.



Keep hands and feet clear of pinch points. Avoid putting any part of your body near moving parts.

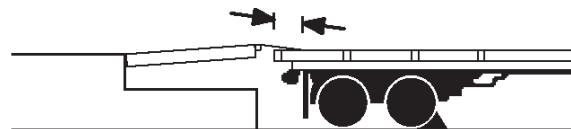
### **WARNING**



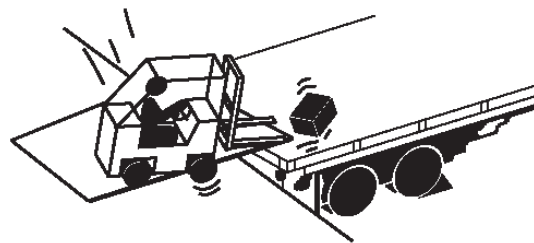
Chock/restrain all transport vehicles. Never remove the wheel chocks or release the restraining device until loading or unloading is finished, and transport driver has been given permission to drive away.



Do not use a broken or damaged dock leveling device or restraining device. Make sure proper service and maintenance procedures have been performed before using.



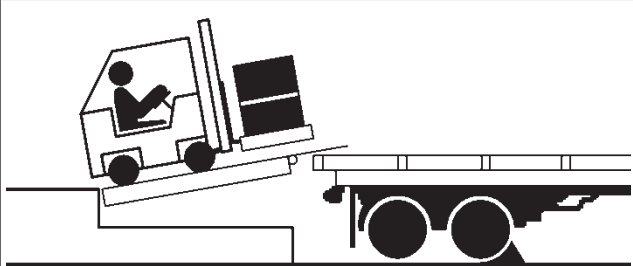
Make sure lip overlaps onto transport vehicle bed at least 4 in. (102 mm).



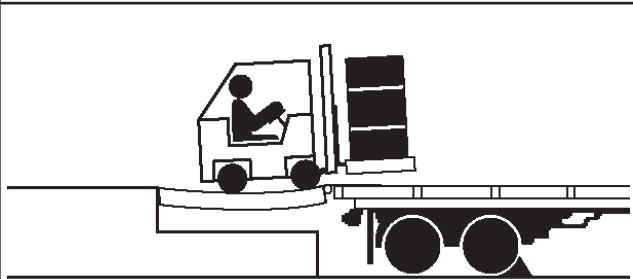
Keep a safe distance from both side edges.

Operational Precautions

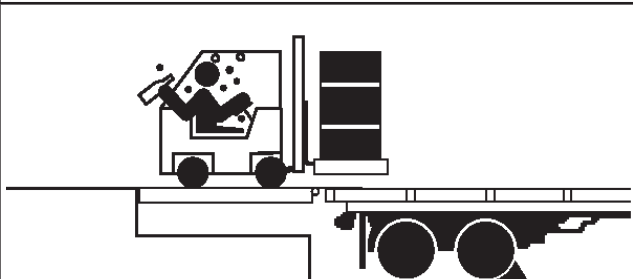
 **WARNING**



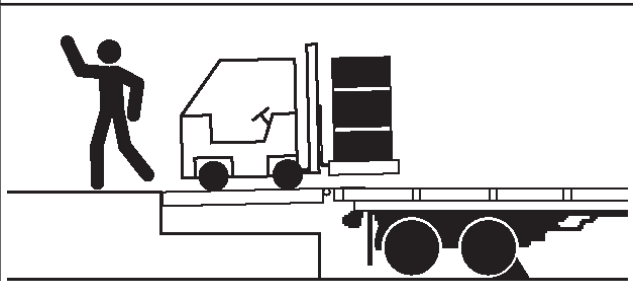
Do not use dock leveling device if transport vehicle is too high or too low.



Do not overload the dock leveling device.



Do not operate any equipment while under the influence of alcohol or drugs.



Do not leave equipment or material unattended on dock leveling device.

# PRECAUTIONS

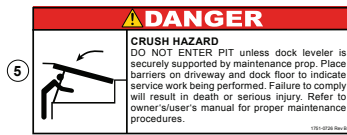
## Safety Decals



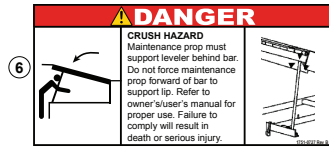
1751-0329



1751-0330 Two positions one on top of each fork pocket.



1751-0726



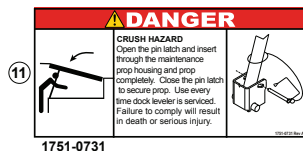
1751-0727



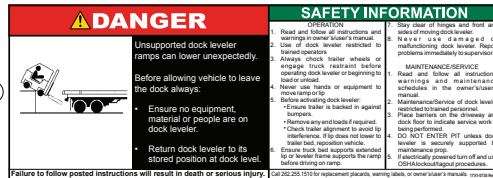
1751-0729



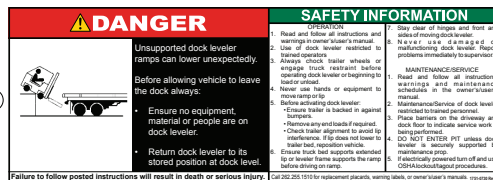
1751-0138



1751-0731



4



4

1751-0730

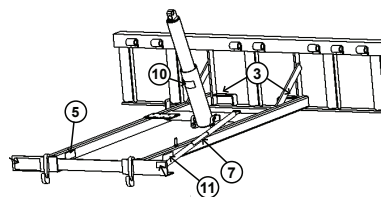
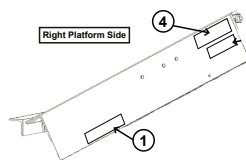
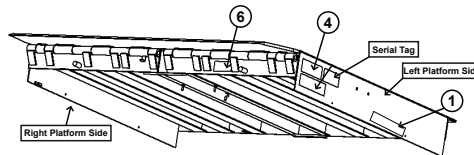



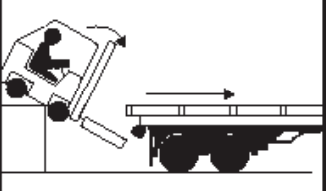
Figure 2

## Placard



# DANGER


## OPERATING INSTRUCTIONS




- Read and follow all instructions, warnings, and maintenance schedules in the manual and on placards.
- Operation and servicing of dock leveler is restricted to authorized personnel.

- Always chock transport vehicle wheels or engage vehicle restraint and set parking brakes before operating dock leveler or beginning to load or unload.
- Before activating dock leveler, check to make sure the transport vehicle is positioned squarely against dock bumpers. Ensure lip will avoid contact with transport vehicle frame, sides and cargo during dock leveler activation. If contact is likely or observed, reposition transport vehicle.
- Ensure the transport vehicle floor supports extended lip or the leveler frame (lip keepers or below dock endload supports) supports the ramp before driving on ramp.
- Stay clear of hinges and front and sides of moving dock leveler.
- Never use hands or equipment to move the ramp or lip.
- Never use damaged or malfunctioning dock leveler. Report problems immediately to supervisor.
- Always store dock leveler and remove people, material, and equipment from ramp before vehicle leaves the dock.
- **DO NOT ENTER PIT** unless dock leveler is securely supported and proper lockout/tagout procedures have been completed. See "Maintenance Precautions" in Owner's/User's Manual.

**FAILURE TO FOLLOW THESE INSTRUCTIONS WILL RESULT IN DEATH OR OTHER SERIOUS INJURY.**



Scan to view our owner's/user's manuals online.  
[www.LoadingDockSystems.com](http://www.LoadingDockSystems.com)  
 1.800.643.5424  
 Call for additional placards, or manuals, or with questions regarding proper use, maintenance, and repair of dock leveler.

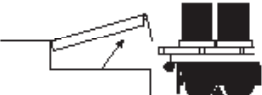


WARNING: CANCER AND REPRODUCTIVE HARM  
[www.P60safety.ca.gov](http://www.P60safety.ca.gov)

**1751-0874**

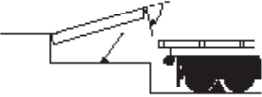
1751-0874 Rev D

## POWERED DOCK LEVELERS




**NORMAL OPERATION**

1. Raise the platform by Pressing and holding the RAISE button.
2. Hold the RAISE button until the lip is fully extended, then release the RAISE button. The platform will lower until lip is resting on the transport vehicle.




**STORING LEVELER**

1. Press the RAISE button until the lip is completely folded. When the lip is folded, release the RAISE button. The platform will lower returning to the cross-traffic position.



**BELOW DOCK ENDLOADING**

- (AIR POWERED ONLY) Press and hold the RAISE button until the leveler is 12" above dock level. Pull the below dock level chain until the leveler lowers the full below dock position.
- (HYDRAULIC ONLY) Press and hold the RAISE button until the leveler is fully raised. As the lip starts to extend, release the RAISE button. The leveler will lower to the below dock position provided the lip extension allows the lip to clear the lip keepers.
- (HYDRAULIC WITH INFINITE LIP CONTROL) If equipped, raise the platform by Pressing and holding the RAISE button. When the lip is just above the lip keepers, simultaneously Press and hold the RAISE button and the LIP OUT button until lip has extended beyond the lip keepers. Release both buttons.



**NOTE: If equipped, Pressing E-STOP button will stop platform from lowering.**

# OWNER'S/USER'S RESPONSIBILITIES

---

- 1) The manufacturer shall provide to the initial purchaser and make the following information readily available to the owners/users and their agents, all necessary information regarding Safety Information, Operation, Installation and Safety Precautions, Recommended Initial and Periodic Inspections Procedures, Planned Maintenance Schedule, Product Specifications, Troubleshooting Guide, Parts Break Down, Warranty Information, and Manufacturers Contact Information, as well as tables to identify the grade(slope) for all variations of length or configuration of the dock leveling device and information identifying the maximum uncontrolled drop encountered when sudden removal of support while in the working range of the equipment.
- 2) When selecting loading dock safety equipment, it is important to consider not only present requirements but also future plans and any possible adverse conditions, environmental factors or usage. The owners/users shall provide application information to the manufacturer to receive recommendations on appropriate equipment specifications and capacity.
- 3) The owner/user must see all nameplates, placards, decals, instructions and posted warnings are in place and legible and shall not be obscured from the view of the operator or maintenance personnel for whom such warnings are intended for. Contact manufacturer for any replacements.
- 4) Dock leveling devices may become hazardous if the manufacturer's instructions regarding modifications or adjustments are not followed. Modifications or alterations of dock leveling devices shall only be made with prior written approval from the original manufacturer. These changes shall be in conformance with all applicable provisions of the MH30.1 standard and shall also satisfy all safety recommendations of the original equipment manufacturer of the particular application.
- 5) The owner/user should recognize the inherent dangers of the interface between the loading dock and the transport vehicle. The owner/ user should, therefore, train and instruct all operators in the safe operation and use of the loading dock equipment in accordance with manufacturer's recommendations and industry standards. Effective operator training should also focus on the owner's/user's company policies, operating conditions and the manufacturer's specific instructions provided with the dock leveling device. Maintaining, updating and retraining all operators on safe working habits and operation of the equipment, regardless of previous experience, should be done on a regular basis and should include an understanding and familiarity with all functions of the equipment. Owners/users shall actively maintain, update and retrain all operators on safe working habits and operations of the equipment.
- 6) An operator training program should consist of, but not necessarily be limited to, the following:
  - a) Select the operator carefully. Consider the physical qualifications, job attitude and aptitude.
  - b) Assure that the operator reads and fully understands the complete manufacturer's owners/users manual.
  - c) Emphasize the impact of proper operation upon the operator, other personnel, material being handled, and equipment. Cite all rules and why they are formulated.
  - d) Describe the basic fundamentals of the dock leveling device and components design as related to safety, e.g., mechanical limitation, stability, functionality, etc.
  - e) Introduce the equipment. Show the control locations and demonstrate its functions. Explain how they work when used properly and maintained as well as problems when they are used improperly.
  - f) Assure that the operator understands the capacity rating, nameplate data, placards and all precautionary information appearing on the dock leveling device.
  - g) Supervise operator practice of equipment.
  - h) Develop and administer written and practical performance tests. Evaluate progress during and at completion of the course.
  - i) Administer periodic refresher courses. These may be condensed versions of the primary course and include on-the-job operator evaluation.



# OWNER'S/USER'S RESPONSIBILITIES

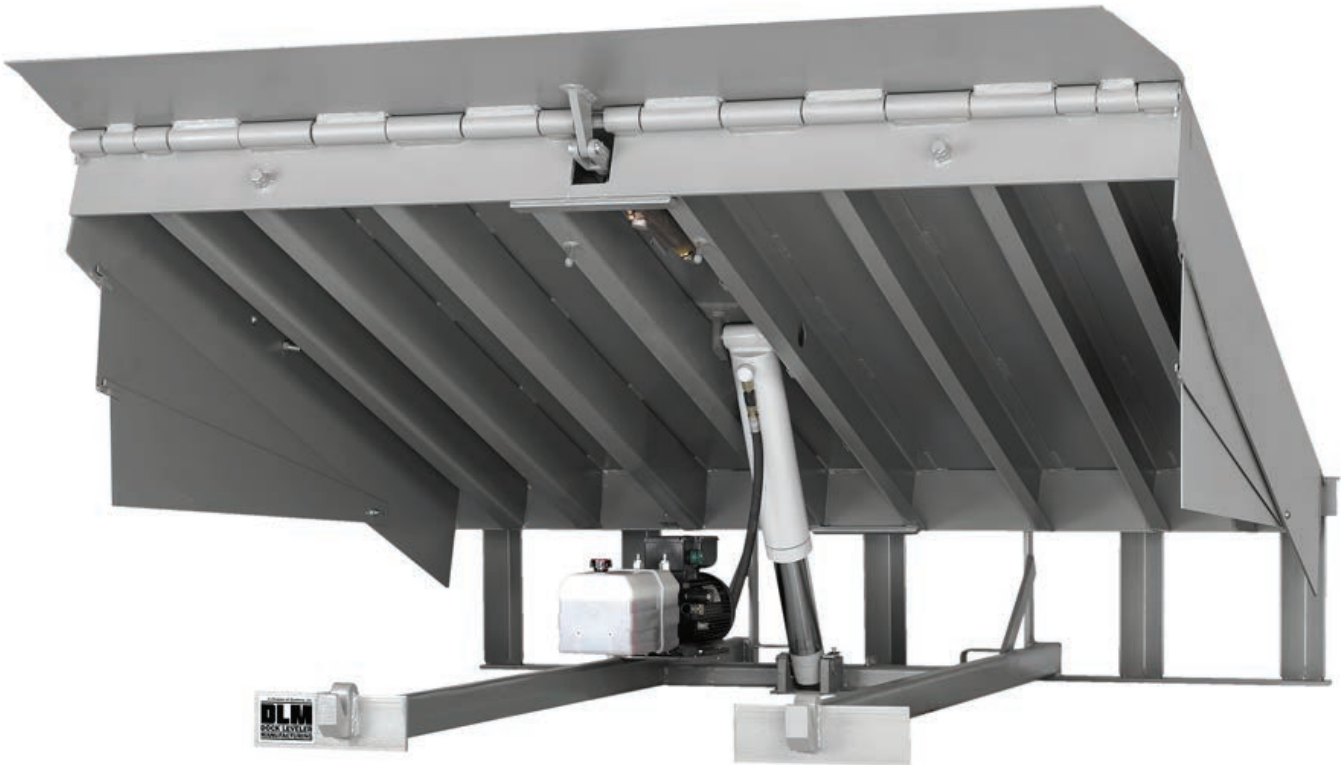
---

- 7) Loading dock safety equipment should never be used outside of its vertical working range, or outside the manufacturer's rated capacity. It shall also be compatible with the loading equipment and other conditions related to dock activity. Please consult the manufacturer if you have any questions as to the use, vertical working range or capacity of the equipment. Only properly trained and authorized personnel should operate the equipment.
- 8) It is recommended that the transport vehicle is positioned as close as practical to the dock leveling device and in contact with both bumpers. When an industrial vehicle is driven on or off a transport vehicle during loading and unloading operations, the transport vehicle parking brakes shall be applied and wheel chocks or a restraining device that provides equal or better protection of wheel chocks shall be engaged. Also, whenever possible, air-ride suspension systems should have the air exhausted prior to performing said loading and unloading operations.
- 9) When goods are transferred between the loading dock and a trailer resting on its support legs/ landing gear instead of a tractor fifth wheel or converter dolly, it is recommended that an adequate stabilizing device or devices shall be utilized at the front of the trailer.
- 10) In order to be entitled to the benefits of the standard product warranty, the dock safety equipment must have been properly installed, maintained and operated in accordance with all manufacturer's recommendations and/ or specified design parameters and not otherwise have been subject to abuse, misuse, misapplication, acts of nature, overloading, unauthorized repair or modification, application in a corrosive environment or lack of maintenance. Periodic lubrication, adjustment and inspection in accordance with all manufacturers' recommendations are the sole responsibility of the owner/user.
- 11) Manufacturer's recommended maintenance and inspection of all dock leveling devices shall be performed in conformance with the following practices: A planned maintenance schedule program must be followed, only trained and authorized personnel shall be permitted to maintain, repair, adjust and inspect dock leveling devices, and only the use of original equipment manufacturer parts, manuals, maintenance instructions, labels, decals and placards or their equivalent. Written documentation of maintenance, replacement parts or damage should be kept. In the event of damage, notification to the manufacturer is required.
- 12) Loading dock devices that are structurally damaged or have experienced a sudden loss of support while under load, such as might occur when a transport vehicle is pulled out from under the dock leveling device, shall be removed from service, inspected by a manufacturer's authorized representative, and repaired or replaced as needed or recommended by the manufacturer before being placed back in service.

# INTRODUCTION

---

## General Information



**Figure 3**

This manual provides current information on the DH-series dock leveler. Due to ongoing product improvement, some parts may have changed, along with operation and troubleshooting methods. This manual describes these changes where applicable.

The DH-series dock leveler comes equipped with an electrical control panel, which allows push button operation of the dock leveler functions. When combining a DH-series dock leveler with a DLM hydraulic vehicle restraint, the control panel will allow for operation of both units in the same control panel.

Each DH-series dock leveler unit and control panel has been factory pre-wired and tested to ensure satisfactory operation.

To illustrate which connections are to be made in the field at installation, electrical drawings are included with each order or by contacting Systems, LLC Technical Services.

DH-series dock levelers are available in the following sizes and weight capacities:

**Width**

- 6 ft (1829 mm)
- 6-1/2 ft (1981 mm)
- 7 ft (2134 mm)

**Length**

- 6 ft (1829 mm)
- 8 ft (2438 mm)
- 10 ft (3048 mm)

**Capacity (CIR\*)**

- 25,000 lb (11 340 kg)
- 30,000 lb (13 608 kg)
- 35,000 lb (15 876 kg)
- 40,000 lb (18 144 kg)
- 45,000 lb (20 412 kg)
- 50,000 lb (22 680 kg)
- 60,000 lb (27 216 kg)

\* CIR (Comparative Industry Rating)

Call Systems, LLC to discuss available voltages, phases and options to meet your specific needs.

**Technical Service at 800-643-5424 or [techservices@loadingdocksystems.com](mailto:techservices@loadingdocksystems.com)**

## Component Identification

Inspect package and all components. Report any missing or damaged items immediately and note on the shipping Bill Of Lading (BOL).

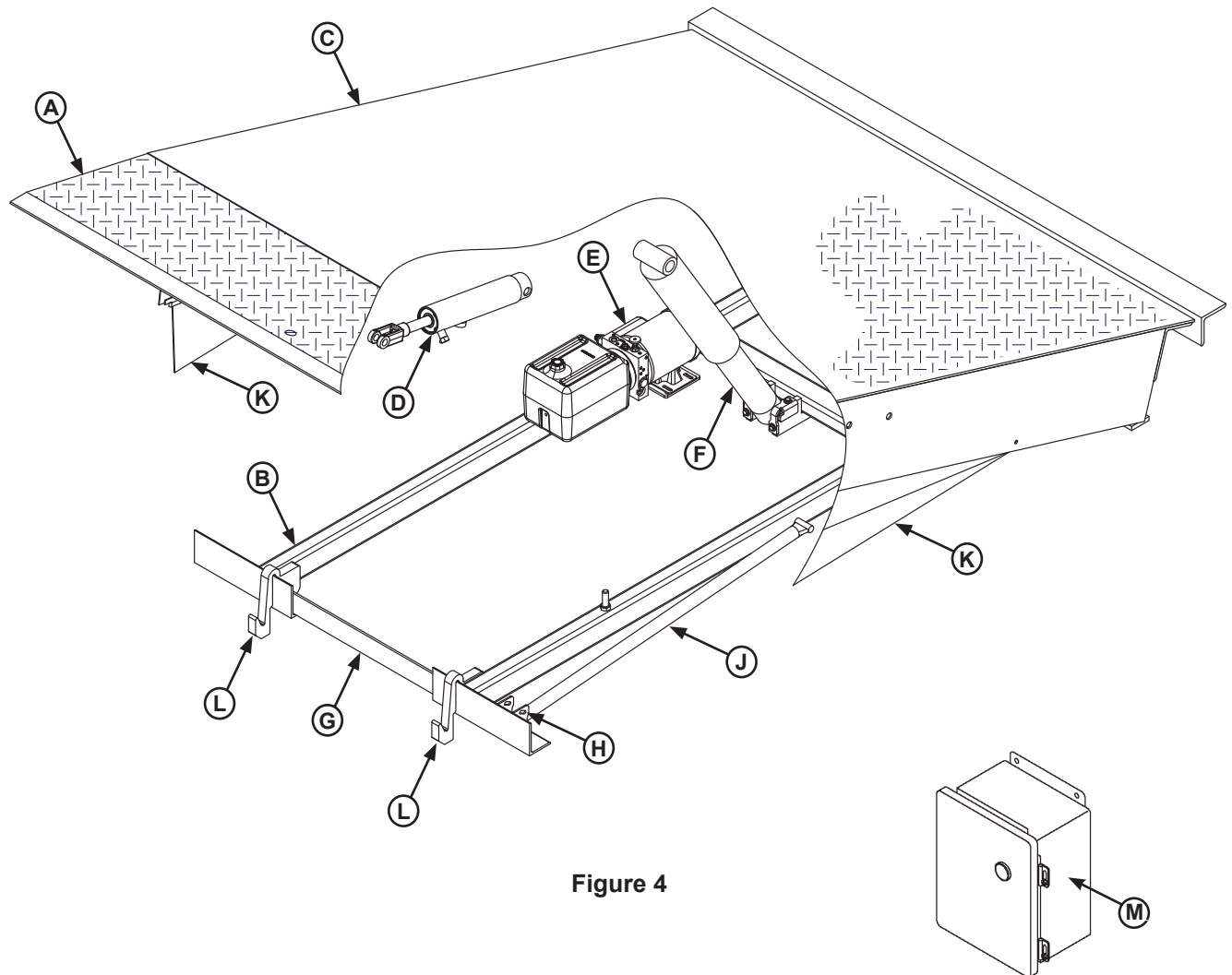


Figure 4

- |                |                                      |                                   |                          |
|----------------|--------------------------------------|-----------------------------------|--------------------------|
| A — Lip        | D — Lip Cylinder                     | G — Clean Sweep Removable Section | K — Toe Guards (2 used)  |
| B — Main Frame | E — Powerpack (Motor/Pump/Reservoir) | H — Maintenance Prop Lock-Out     | L — Lip Keepers (2 used) |
| C — Platform   | F — Platform Cylinder                | J — Maintenance Prop              | M — Control Box          |

\* Control box appearance may vary depending on options.

# INSTALLATION

## Installation Precautions

### **DANGER**

It is recommended and good safety practice to use an additional means to support the dock platform and lip anytime when physically working in front of or under the dock leveler. This additional means may include, but is not limited to a boom truck, fork truck, stabilizing bar or equivalent.

### **WARNING**

Always post safety warnings and barricade the work area at dock level and ground level to prevent unauthorized use of the dock leveler before installation is complete.

A hard hat or other applicable head protection should always be worn when working under or around a dock leveler.

Always stand clear of platform lip when working in front of the dock leveler.

### **WARNING**

DO NOT grind or weld if hydraulic fluid or other flammable liquid is present on the surface to be ground or welded.

DO NOT grind or weld if uncontained hydraulic fluid or other flammable liquid is present. Stray sparks can ignite spills or leaks near the work area. Always clean up the oil leaks and spills before proceeding with grinding or welding.

Always keep a fire extinguisher of the proper type nearby when grinding or welding.

### **CAUTION**

Only trained installation professionals with the proper equipment should install this product.

### **NOTICE**

DO NOT connect the dock leveler electrical wiring and ground connections until all welding has been completed.

DO NOT ground welding equipment to any hydraulic or electrical components of the dock leveler. Always ground welding equipment to the dock leveler frame, NEVER to the platform.

Failure to follow these instructions may damage the motor, hydraulics, wiring, and/or control panel.

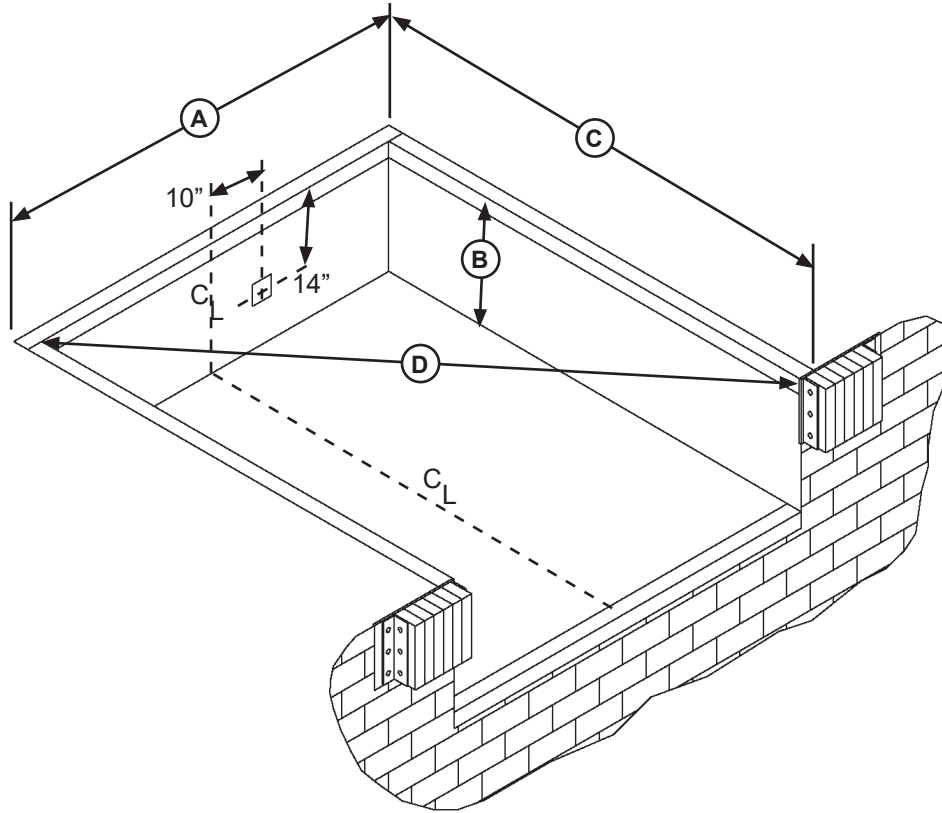
### **NOTICE**

DO NOT remove the shipping bands around the dock leveler lip until instructed to do so.

This page intentionally left blank.

# INSTALLATION

## Prepare Pit



**Figure 5**

**A—Pit Width**  
(Front and Rear)

**B—Dock Floor-to-Pit Floor**  
(All Four Corners)

**C—Pit Length**  
(Both Sides of Pit)

**D—Pit Corner-to-Corner**  
(Top, Bottom, and Both Sides)

Before lowering the dock leveler into the pit, the following must be performed:

1. Remove all debris from the pit and sweep the pit clean.
2. Check the entire dock leveler pit for proper construction according to approved/certified pit drawings. Make sure pit is square by making the following measurements (see Figure 5):
  - Measure pit width distance (**A**) at both front and rear of pit.
  - Measure dock floor-to-pit floor distance (**B**) at all four corners.
  - Measure pit length distance (**C**) at both sides.
  - Measure corner-to-corner (diagonal) distance (**D**) at both sides. Take measurements at dock floor level and at pit floor level.

If any measurement is off by more than 1/8 in. (3.18 mm), contact Systems, LLC Technical Services before proceeding.

3. Make sure the field junction box for the dock leveler is at the correct location per pit diagrams.

## Prepare Dock Leveler

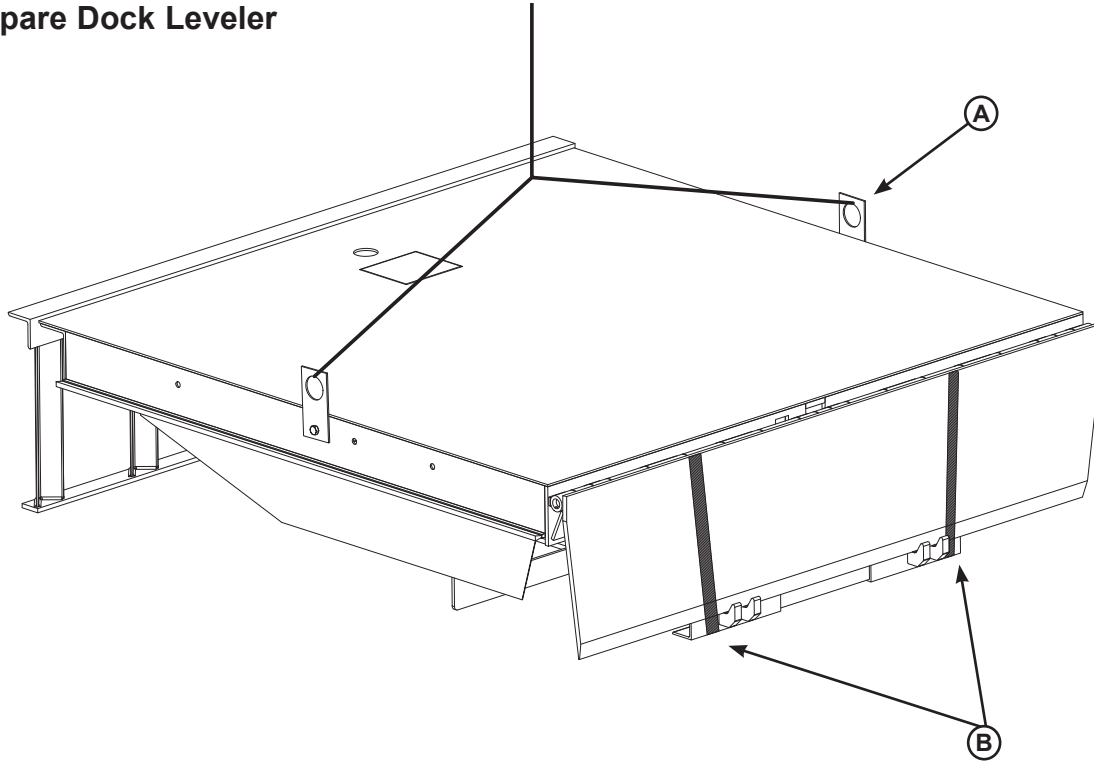


Figure 6

A— Lifting Bracket (2 used)

B — Shipping Bands

DLM dock levelers are shipped with lifting brackets (A) fastened to the platform side joists, and shipping bands (B) around the platform lip and leveler frame (see Figure 6).

1. Remove any bumpers and/or control panels that may be banded to the frame of the dock leveler.

3. Attach lifting chains to lifting brackets (A) and to a lifting device (i.e., hoist or fork truck) having the appropriate lifting capacity and reach.

4. Remove wood blocks that are attached to the leveler frame before putting the dock leveler into the pit.

5. Proceed to “Install Dock Leveler” on Page 14.

## NOTICE

DO NOT remove the shipping bands (B) around the platform lip and leveler frame at this time. The shipping bands are needed to hold the leveler together during the installation process.

**Note:** Overall width of platform and lifting brackets (A) must be kept to a minimum to prevent interference between the lifting brackets and the pit walls as the dock leveler is lowered into the pit.

2. Make sure the mounting hardware of lifting brackets (A) is snug. The brackets should pivot without binding on the mounting cap screw.

## NOTICE

DO NOT over-tighten the lifting bracket hardware. Over-tightening can damage the weather seal, if equipped.

# INSTALLATION

## Install Dock Leveler

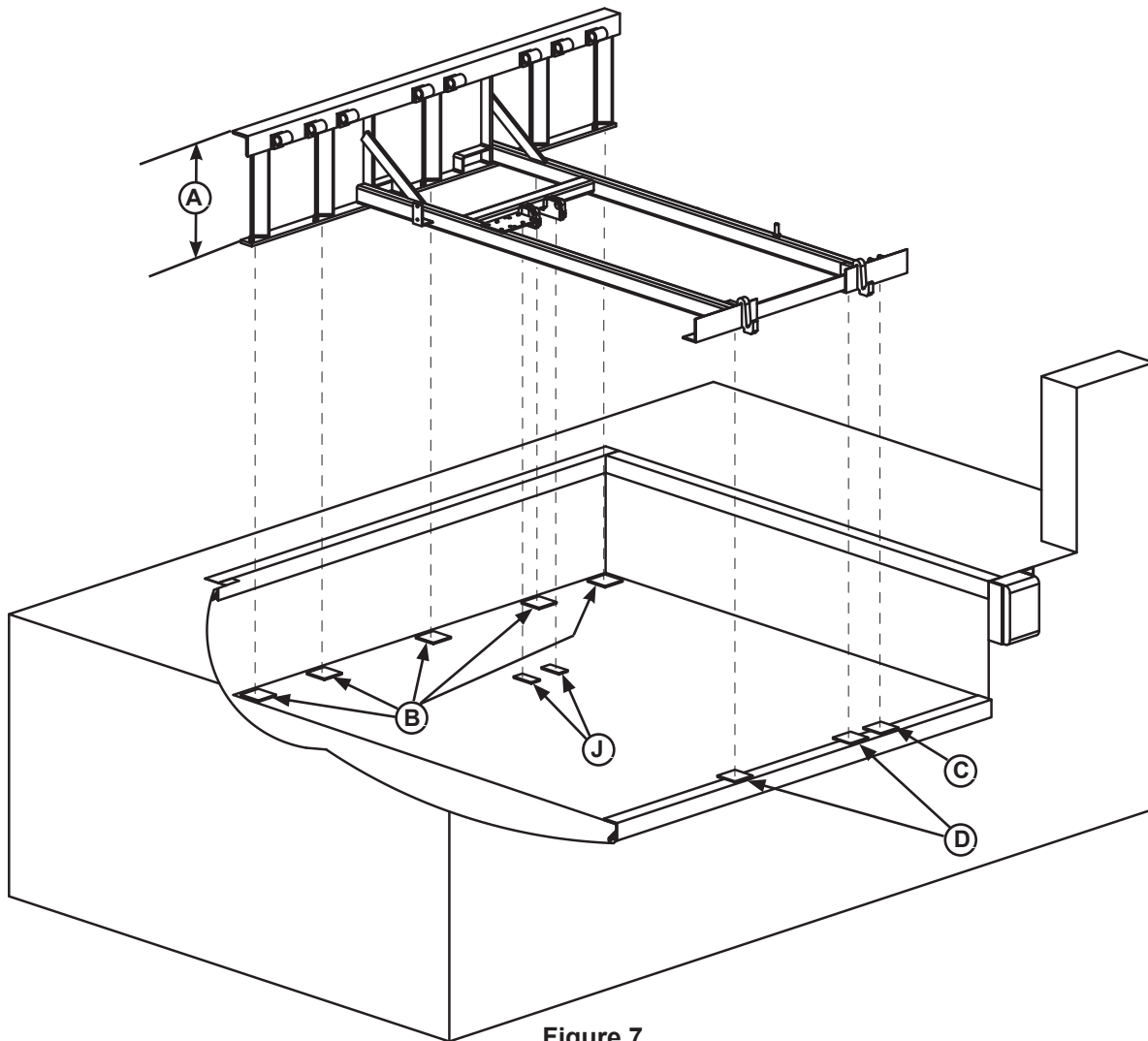


Figure 7

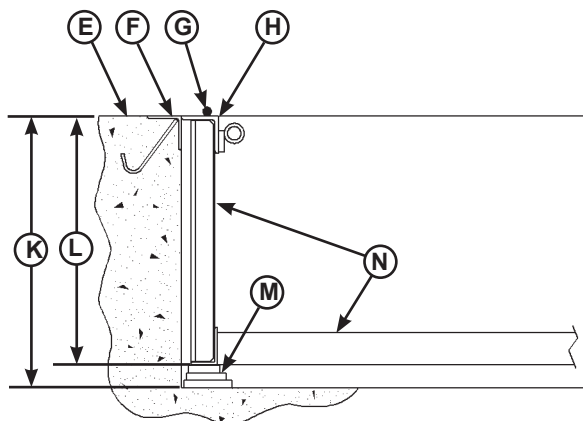


Figure 8

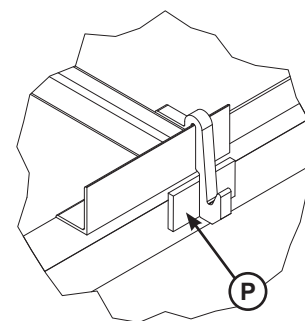


Figure 9

- |  |                                       |  |   |
|--|---------------------------------------|--|---|
| A— Distance (Leveler Frame Height)               | D— Shim Locations (Under Lip Keepers) | H— Rear Hinge Frame Angle                | L— Distance (Top of Shim Stack-to-Dock Floor) |
| B— Shim Locations (Under Rear Vertical Supports) | E— Dock Floor                         | J— Shims Location (Under Hoist Cylinder) | M— Shim Stack                                 |
| C— Shim Location (Under Maintenance Prop)        | F— Rear Pit Curb Angle                | K— Distance (Dock Floor-to-Pit Floor)    | N— Dock Leveler Frame                         |
|  | G— String                             |  | P— Lip Keeper Shim (as required)              |



## Install Dock Leveler (continued)

**Note:** Poweramp dock levelers are designed with a nominal 1/2" (12.7 mm) shimming distance to allow for pit inconsistencies.

1. Determine height of shim stack (**M**) for each shim location (**B**) by performing the following:

- a. Measure leveler frame height distance (**A**).
- b. Measure dock floor-to-pit floor distance (**K**) at each shim location (**B**). Write down the dimensions obtained at each location.
- c. Subtract distance (**A**) from distance (**K**) to obtain the shim height. Repeat for each shim location.

2. Using the results obtained in step 1, create the individual shim stacks on the pit floor at location (**B**). Build each shim stack (**M**) with the top shim having a minimum size of 4" x 4" (101.6 mm x 101.6 mm) and each successive lower shim being larger so the shims can be welded together using a fillet weld. If using offset method, make sure load is over center of shim stack, NOT over the edge. DO NOT use straight method. See Figure 10.

## NOTICE

The minimum size of the shim that contacts the leveler frame (i.e. the top shim of each shim stack) must be at least 4" x 4" (101.6 mm x 101.6 mm) to support the full width of the frame rail and to provide a shelf for a fillet weld.

Use the thickest shim stock possible for stability and weld penetration purposes. DO NOT use multiple layers of 1/8 in. (3.18 mm) or thinner shim stock.

**Note:** To assist in obtaining an accurate measurement of distance (**L**), use a string (**G**) pulled tight across the pit opening, directly over the shim locations.

3. Verify that each shim stack is at the correct height by measuring distance (**L**) [top of shim stack (**M**) to dock floor]. Distance (**L**) must equal the dock leveler height (**A**).

4. Put a 1/4" (6.6 mm) thick shim underneath each lip keeper (**C**).

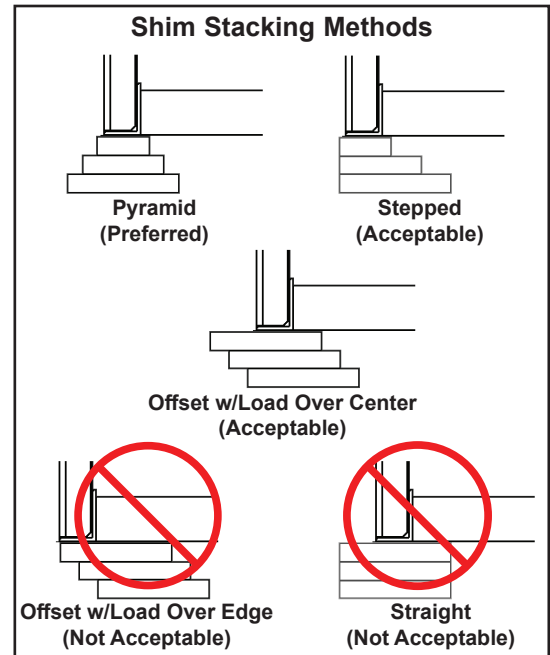


Figure 10

**Note:** A 1/4" (6.6 mm) thick shim at location (**C**) is used only as a starting point. The final shim stack height will be determined after dock leveler is lowered into the pit.

5. Using an appropriate lifting device connected to the lifting brackets, lower dock leveler into the pit so rear hinge frame angle (**G**) is tight against rear pit curb angle (**E**) across full width of the leveler frame.

## WARNING

The dock leveler is heavy. Use a lifting device and chains with the appropriate lifting capacity and reach.

Always use the lifting brackets provided with the unit whenever lowering or lifting a dock leveler into or out of a pit.

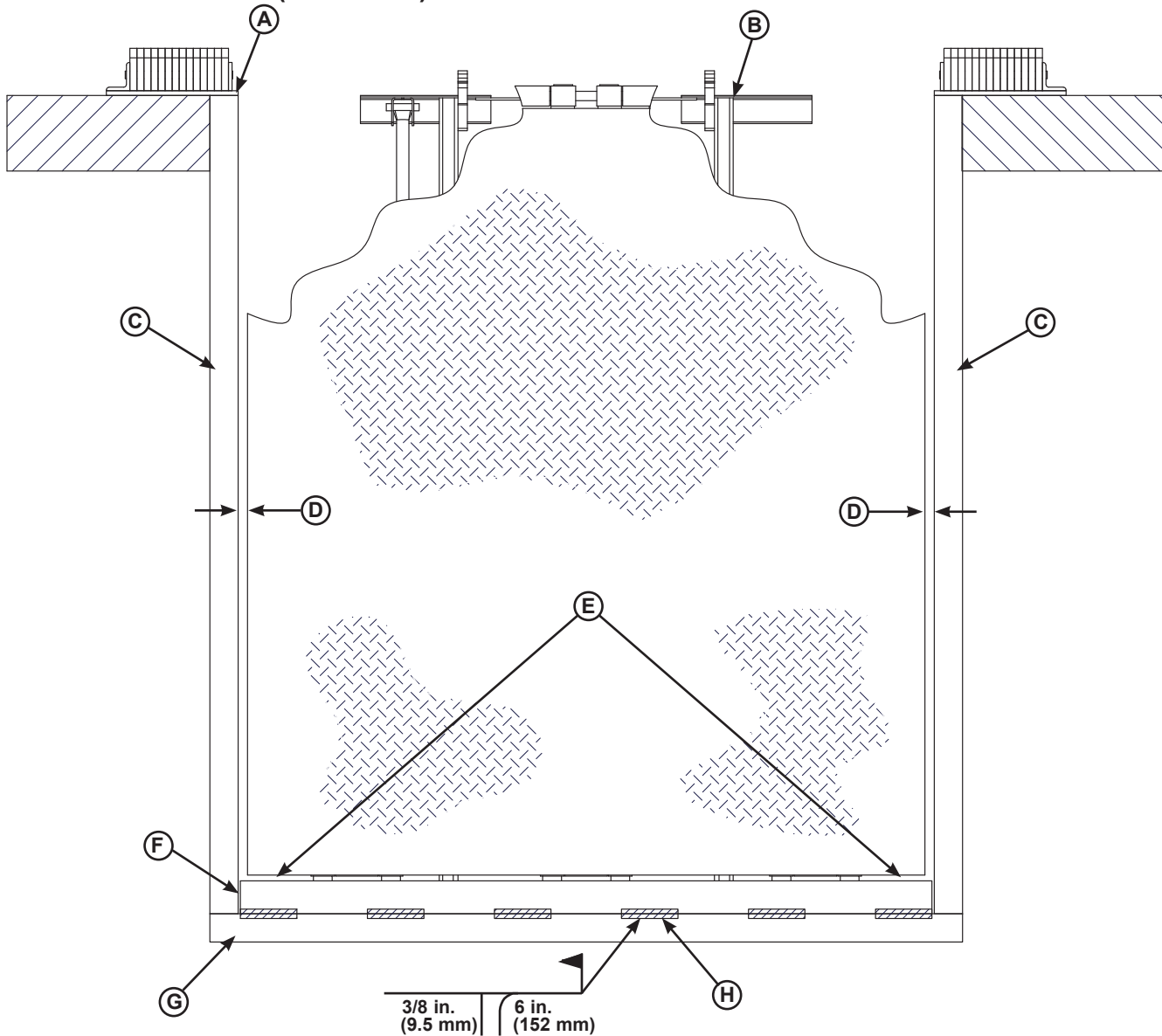
6. Allow rear of dock leveler to rest on the rear shims while keeping the front of the dock leveler level with the dock floor.

7. Add shims at front shim locations (**C**) so front of dock leveler will stay level with dock floor when leveler is resting fully on shims.

**Note:** Hoist cylinder and maintenance prop will be shimmed later in the install process.

# INSTALLATION

## Install Dock Leveler (continued)



**Figure 11**

- |                       |                                  |                           |   |
|-----------------------|----------------------------------|---------------------------|---|
| A— Front of Dock Pit  | C— Side Pit Curb Angle           | E— Pry Locations          | G— Rear Pit Curb Angle                        |
| B— Dock Leveler Frame | D— Gap [3/4 in. (19 mm) Minimum] | F— Rear Hinge Frame Angle | H— Flare Bevel Weld, Typical (To Fit Spacing) |

8. With rear hinge frame angle (F) tight against rear pit curb angle (G), perform/check the following:

- Pry between the platform and rear hinge frame angle at locations (E) to make sure rear edge of platform is parallel to the rear hinge frame angle (F).
- Gap (D) must exist equally along both sides of leveler so weather seal (if equipped) will not bind during dock leveler operation.

9. If gap (D) cannot be obtained equally at both sides of leveler, grind or add material at the rear edge of rear hinge frame angle (F) as needed.

10. Allow the dock leveler to rest fully on the shim stacks. Check that a smooth and level transition exists between the dock floor and the dock leveler platform. Add or remove shims as necessary until a smooth transition is obtained.

11. If leveler cannot be squared and/or made level as instructed in steps 8-10, contact Systems, LLC Technical Services.

## Install Dock Leveler (continued)

### NOTICE

DO NOT weld continuously along the full length of the rear hinge frame angle. This can put unnecessary stress on the leveler components, causing the leveler to malfunction and shorten the lifespan of the affected components.

12. With the rear hinge frame angle (**F**) tight against the rear pit curb angle (**G**), weld the rear hinge frame angle (**F**) to the rear pit curb angle (**G**) using a 3/8 in. (9.5 mm) flare bevel skip weld — each weld being 6 in. (152 mm) long.

- Start at each end with a 6 in. (152 mm) long weld. Space all the other welds out evenly, leaving approximately 6 in. (152 mm) space between each weld.

**Note:** Figure 11 shows a typical weld pattern. The weld pattern will vary slightly depending on size of dock leveler.

13. Weld front of dock leveler frame (**B**) to shims located under the keepers, then weld the shims to the front pit curb steel.

14. With leveler welded into place, remove the shipping bands from around lip and leveler frame.

15. Using an external lifting device (i.e. crane or fork truck) attached to the platform lifting brackets, slowly raise the platform. Check for binding as platform is being raised.

16. If binding occurs, lower the platform. Reposition leveler and/or add or remove shims as necessary. Slowly raise platform again. If platform still binds, contact Systems, LLC Technical Services for further instructions.

### WARNING

If the platform is raised using an external lifting device or the hydraulic system is opened to atmosphere, air will enter into the hydraulic system.

Whenever this happens, always cycle the leveler at least 4 times using the leveler's own hydraulic power system before allowing the leveler to be put into service. This is to make sure all air is purged from the hydraulic cylinders.

# INSTALLATION

## Install Dock Leveler (continued)

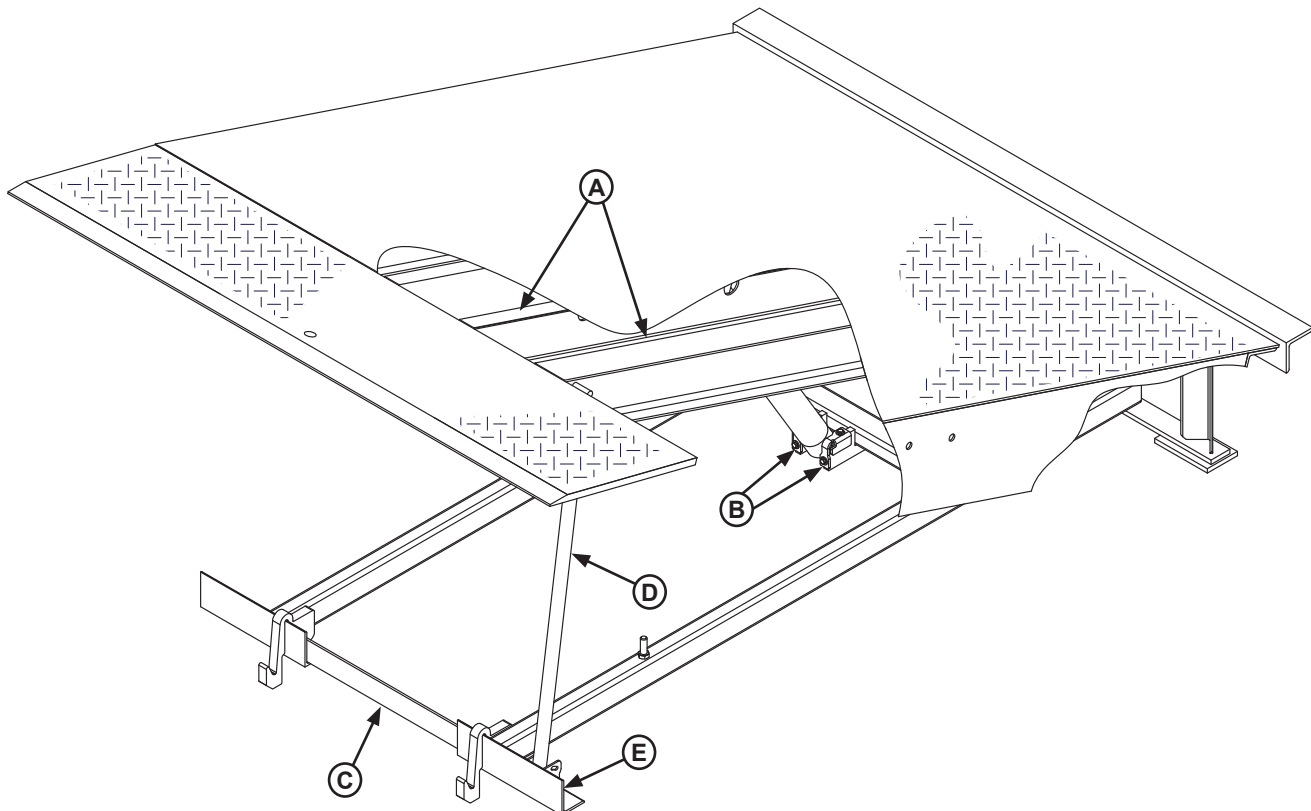


Figure 12

A — Platform Joists

B — Shim Location (Under Platform Cylinder Trunnions)

C — Removable “Clean Sweep” Frame Section

D — Maintenance Prop

E — Shim Location (Under Maintenance Prop)

17. Shim and weld the maintenance prop (Figure 12):

a. Install shims under maintenance prop (D) where prop attaches to leveler frame (E). Make sure prop is solidly shimmed.

b. Raise maintenance prop (D) to the service (upright) position and lock prop in this position using an OSHA approved locking device.

18. Install shims at locations (B and E) using an appropriate shimming method (see Figure 13). Both platform cylinder trunnions must be solidly shimmed the entire length of the trunnion. Make sure the trunnions are level from side-to-side as well as from front-to-back.

19. Finish weld all shims using a fillet weld:

- Weld all shims within each shim stack to each other, then weld the shim stack to the leveler frame.
- Weld the front leveler frame shim stacks to the front pit curb steel.

### **WARNING**

DO NOT use the maintenance prop to support the raised platform until the maintenance prop has been properly shimmed and welded. The shims must be welded to each other, and also to the leveler frame.

### **WARNING**

Make sure the platform is properly supported in the raised position before entering the pit to finish weld the shims.

## Install Dock Leveler (continued)

20. When all welding has been completed, paint all the welds and shims.

**Note:** DH models are shipped with a front frame section (C) installed. This temporary frame holds the leveler frame at the correct dimensions until the leveler is permanently anchored into place. Only then should it be removed.

21. Remove the Clean Sweep frame section (C) by grinding the tack welds that hold it in place during transport. Paint after.

22. Install the dock bumpers as required.

23. Proceed to “Install Control Panel and Wiring” on Page 20.

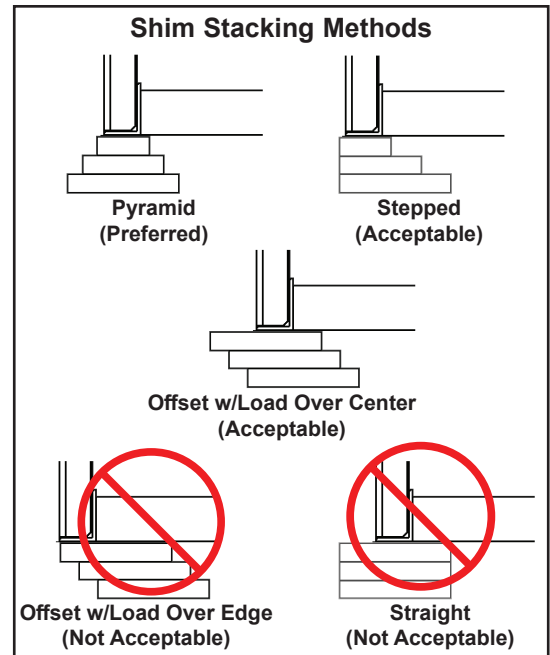


Figure 13

# INSTALLATION

## Install Control Panel and Wiring

### **DANGER**

Make sure that the power source has been locked out and tagged according to OSHA regulations and approved local electrical codes.

### **WARNING**

A hard hat or other applicable head protection should always be worn when working under or around a dock leveler.

Always stand clear of platform lip when working in front of the dock leveler.

### **CAUTION**

All electrical work — including the installation of the disconnect panel, control panel, and final connections to the pit junction box — must be performed by a certified electrician and conform to all local and applicable national codes.

### **NOTICE**

DO NOT connect any dock equipment electrical wiring or ground connections until all welding has been completed.

DO NOT ground welding equipment to any electrical components of the dock equipment. Always ground welding equipment to the dock leveler frame, NEVER to the platform.

Failure to follow these instructions may damage the motor, wiring, and/or control panel.

### **NOTICE**

Where indicated, all components must be connected to a SAFETY EARTH GROUND that conforms to the 1999 National Electrical Code Section 250-50 section (a) or section (c) for a grounding electrode system.

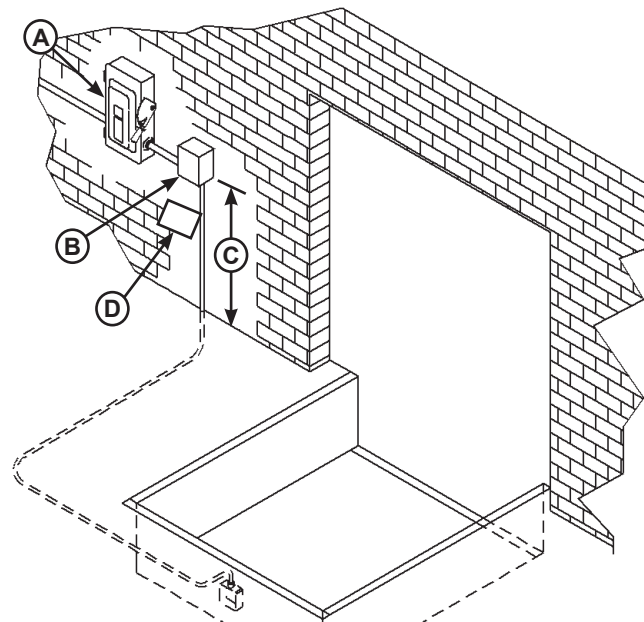


Figure 14

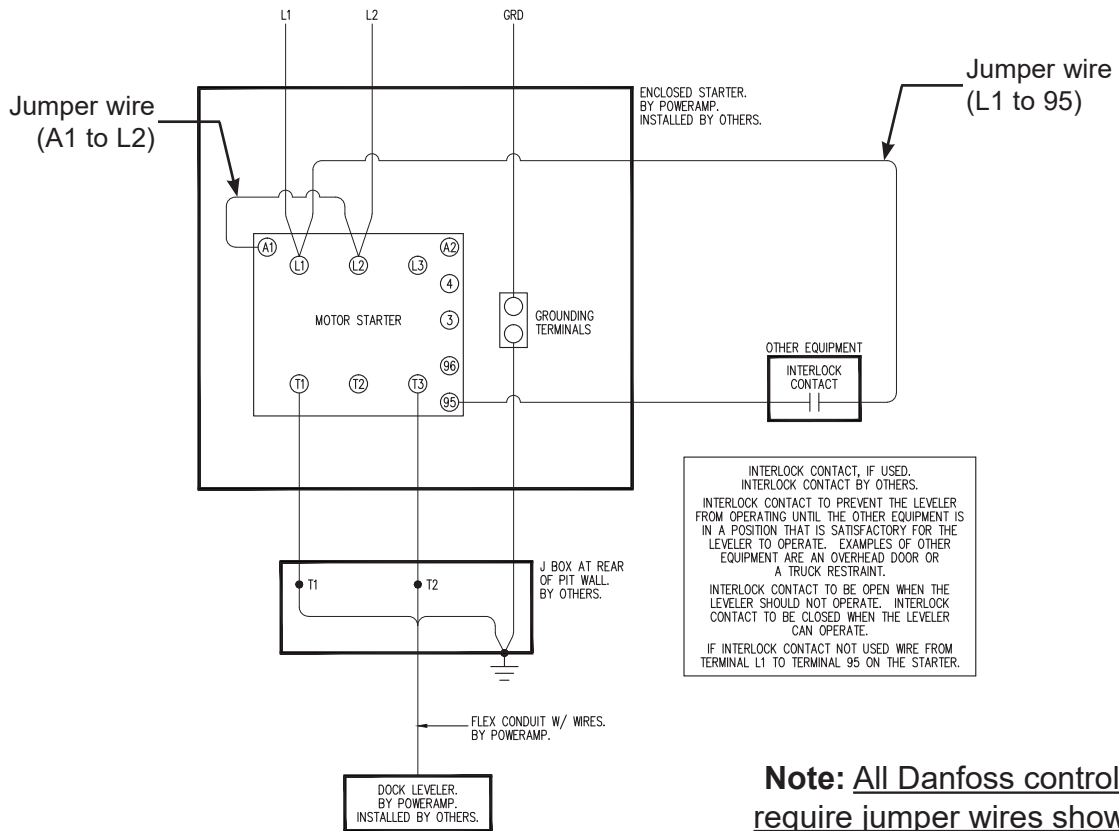
A— Disconnect Panel (provided by others)  
B— Control Panel  
C— Distance, 48 in. (1219 mm)  
D— Placard

1. Mount the control panel (B) so bottom of control panel-to-dock floor distance is 48 in. (1219 mm, C).
2. Install electrical disconnect panel (A) if not already installed (provided by others). It is recommended to locate disconnect panel adjacent to control panel (B).
3. Install and connect the control wiring as shown in installation drawings.
4. Connect the control wiring to the field wires in the dock equipment junction boxes. Refer to the electrical diagrams supplied with the dock equipment.

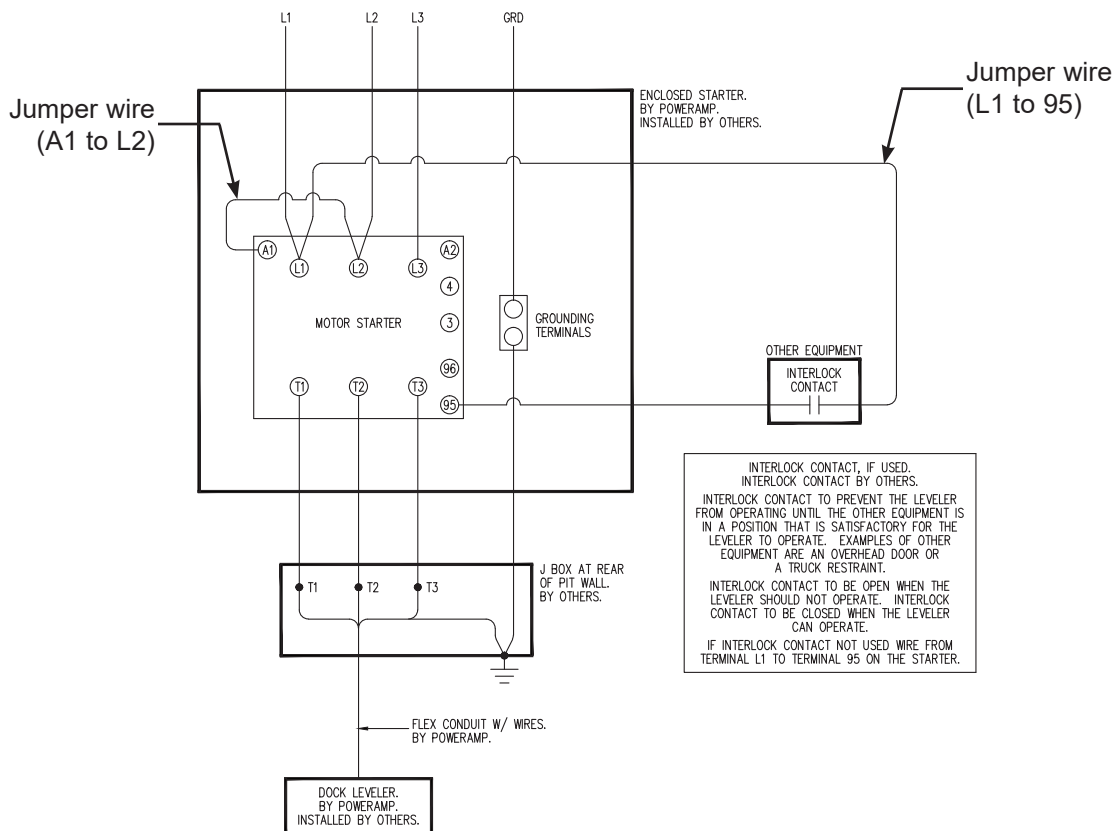
**Note:** When installing electrical controls in a temperature-controlled environment, the installer must determine an appropriate means to isolate/prevent thermal and vapor transfer through electrical conduit where conduit routing crosses temperature zones. Systems, LLC is not responsible for any damage due to moisture collecting inside the control panel caused by improper isolation/prevention of thermal and vapor transfer through the conduit. Refer to Tech Service Bulletin 19-053 for more information.

5. Install placard (D). Make sure placard is in plain view of dock leveler and/or vehicle restraint operations. Suggested placement of placard is near control box attached to electrical conduit by using nylon cable tie. See page 21.

## Danfoss Control Panel Wiring (1-Phase)



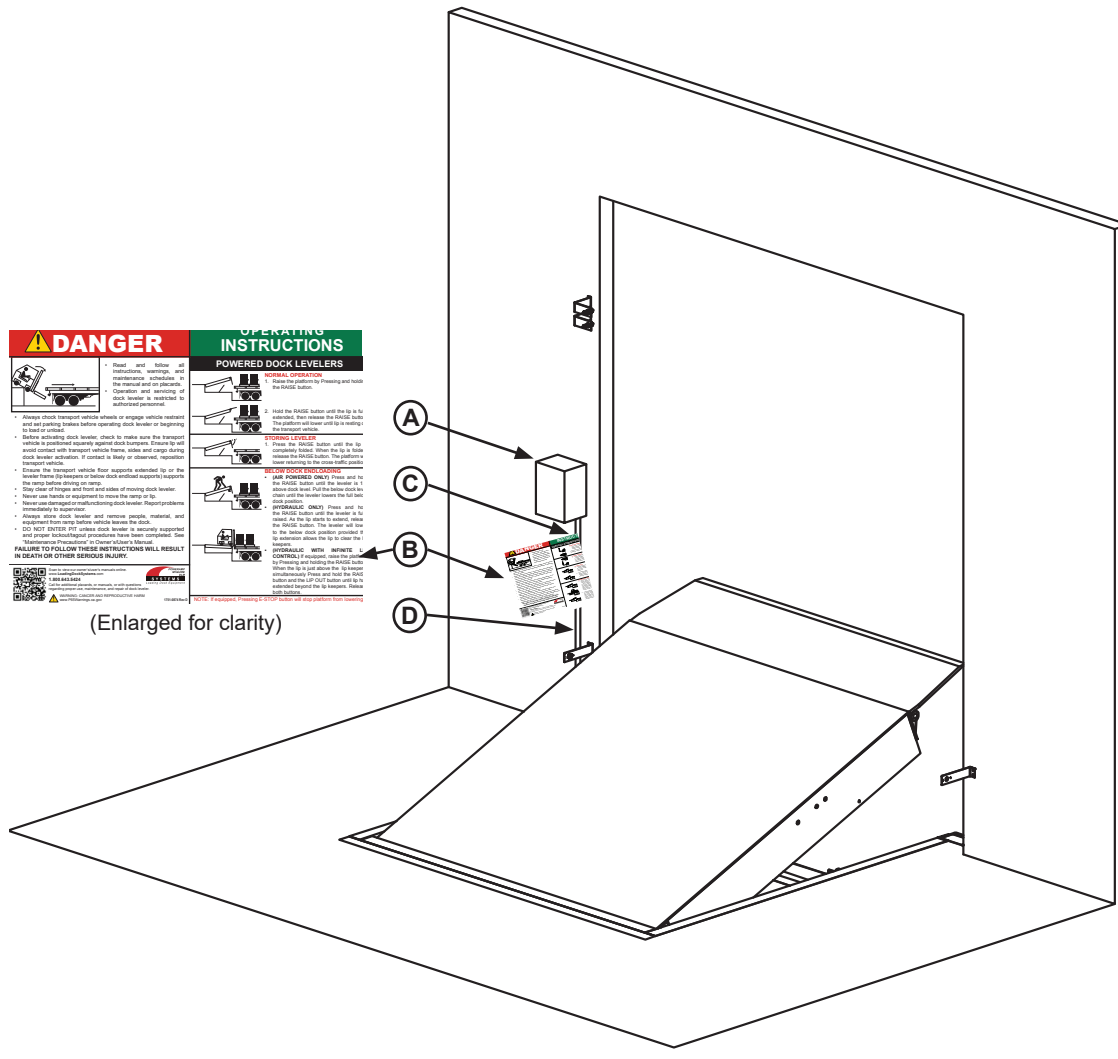
## Danfoss Control Panel Wiring (3-Phase)



# INSTALLATION

## Placard Installation Instructions

1. Installers and/ or Owner's/ User's are responsible for the installation and placement of product placards.
2. Placard must be in plain view of dock leveler and/ or vehicle restraint operations.
3. Suggested placement of placard is near control box, attached to the wall or electrical conduit using a cable tie. If the equipment does not have a control panel, mount the placard on the wall to the immediate left of leveler at eye level.



(Enlarged for clarity)

Figure 15

A—Control Box

B—Placard

C—Nylon Cable Tie

D—Conduit



## Put New Dock Leveler Into Service

### **WARNING**

A hard hat or other applicable head protection should always be worn when working under or around a dock leveler.

Always stand clear of platform lip when working in front of the dock leveler.

1. Disconnect the external lifting device and chains from the lifting brackets.
2. Check that the leveler is flush with the dock floor and that the platform lip contacts both lip keepers evenly.

**Note:** If an excessive transition exists between the dock floor and leveler and/or lip does not contact both lip keepers evenly, contact Systems, LLC Technical Services for further instructions.

3. Turn the main electrical power ON.
4. Raise the leveler platform fully by Pressing and holding the RAISE button.

**Note:** The platform of a properly operating dock leveler will automatically stop rising when it reaches its maximum full raised height, at which point, the lip extends. When the lip is fully extended, the powerpack will go into pressure relief. (If the lip does not extend correctly, see Troubleshooting section.)

5. Release the RAISE button to lower the platform. As long as there is no vehicle present at the dock, the platform will lower to the full below-dock position as the lip folds.

**Note:** If a transport vehicle is present, the platform will lower until the lip rests on the transport vehicle's bed.

6. When the platform lowers to the full below-dock position, Press and hold the RAISE button until the platform rises just enough to clear the lip keepers, then release the RAISE button to allow the platform to lower to the cross-traffic (stored) position (lip engages lip keepers).

**Note:** For dock levelers equipped with the Auto Return To Dock (ARTD), the platform will automatically return to the cross-traffic position if the ARTD is enabled. When the platform is at the full below-dock position, there is a six-second delay before the platform will automatically rise to the cross-traffic position.

7. Perform steps 4-6 at least four times to purge any air that may be in the hydraulic system and to ensure proper operation.
8. Raise the platform fully. Hold the platform at this position using the RAISE button and move the maintenance prop to the service (upright) position. Release the RAISE button to allow the platform to lower until it is resting on the maintenance prop.

### **DANGER**

Unless the dock leveler is equipped with a tethered remote, two people are required to engage the maintenance prop: one person to operate the unit, the other person to engage the maintenance prop.

In addition, it is recommended and good safety practice to use an additional means to support the dock platform and lip anytime when physically working in front of or under the dock leveler. This additional means may include, but is not limited to a boom truck, fork truck, stabilizing bar or equivalent.

9. Secure the maintenance prop with the maintenance prop lock-out.
10. With the maintenance prop supporting the platform, remove the lifting brackets.
11. Release the maintenance prop by unlocking the lock-out.
12. Press and hold the RAISE button until the maintenance prop drops to its stored position. Release the RAISE button and allow the platform to lower fully.

# OPERATION

## Operational Precautions

### **DANGER**

Stay clear of dock leveler and vehicle restraint when transport vehicle is entering or leaving dock area.

DO NOT move or use the dock leveler or restraint if anyone is under or in front of leveler.

Keep hands and feet clear of pinch points. Avoid putting any part of your body near moving parts.

### **WARNING**

Only trained personnel should operate the dock leveler.

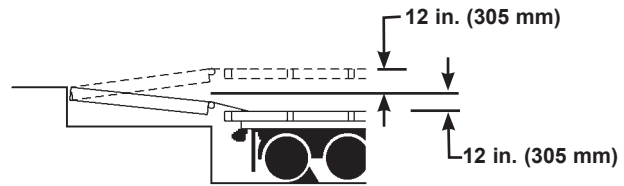
DO NOT use a broken or damaged dock leveler. Make sure proper service and maintenance procedures have been performed on leveler before using.

Transport vehicle wheels must be chocked unless a vehicle restraint is used. Never remove the wheel chocks until loading/unloading is finished and transport driver has been given permission to leave.

Make sure platform lip rests on the transport vehicles bed with at least 4 in. (102 mm) of overlap.

Maintain a safe distance from side edges of leveler during the loading/unloading process.

### **WARNING**



The DH hydraulic dock leveler is designed to compensate for a maximum  $\pm 12$  in.\* (305 mm) of height difference between the loading dock and the transport vehicles bed. DO NOT use the dock leveler if the transport vehicles bed is more than 12 in. (305 mm) higher or lower than the dock floor.

\*Service height may vary with design specifications

DO NOT overload the dock leveler.

DO NOT operate any equipment while under the influence of alcohol or drugs.

DO NOT leave equipment or material unattended on the dock leveler.

This page intentionally left blank.

# OPERATION

---

## Operating Instructions

### Ramp Loading/Unloading

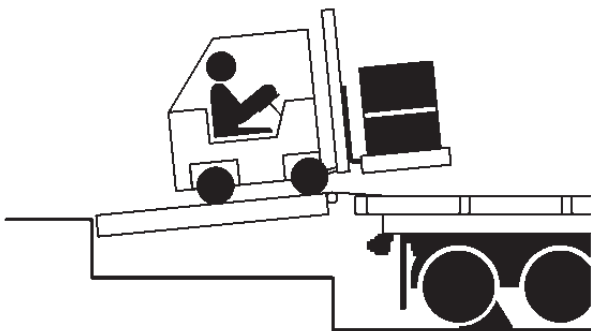
1. Before activating dock leveler, check to make sure the transport vehicle is positioned squarely against dock bumpers. Ensure lip will avoid contact with transport vehicle frame, sides and cargo during dock leveler activation. If contact is likely or observed, reposition transport vehicle.

2. Instruct driver to remain at the dock until the loading or unloading process has been completed.

3. Chock the transport vehicle wheels, or use a vehicle restraint if available.

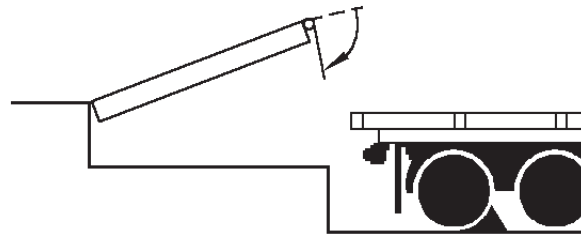
4. Extend the dock leveler onto the transport vehicle as follows:

- a. Raise the platform by pressing and holding the RAISE button.
- b. Hold the RAISE button until the lip is fully extended, then release the RAISE button. The platform will lower until the lip is resting on the transport vehicle bed.
- c. Make sure that the lip is fully extended and supported on the transport vehicle along the entire width of the platform, with at least 4 in. (102 mm) of lip contacting the transport vehicle bed. See Figure 16.



**Figure 16**

5. Proceed with loading or unloading the transport vehicle.



**Figure 17**

6. When loading or unloading is finished, raise the platform by pressing and holding the RAISE button until the lip folds enough to land in the lip keepers, then release the RAISE button. The platform will return to the cross-traffic position. See Figure 17.

7. Remove chocks from transport vehicle wheels, or release the vehicle restraint if used.

8. Indicate to driver that the transport vehicle may leave the dock.

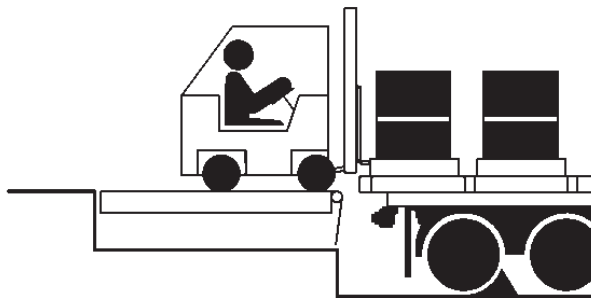
## Operating Instructions (continued)

### End Loading/Unloading

1. Before activating dock leveler, check to make sure the transport vehicle is positioned squarely against dock bumpers. Ensure lip will avoid contact with transport vehicle frame, sides and cargo during dock leveler activation. If contact is likely or observed, reposition transport vehicle.

2. Instruct driver to remain at the dock until the loading or unloading process has been completed.

3. Chock the transport vehicle wheels, or use a vehicle restraint if available.



**Figure 18**

4. If transport vehicle bed is at or above dock floor level, leave leveler at the cross-traffic position and proceed with loading or unloading (see Figure 18). If transport vehicle bed is below the dock floor level, continue with Step 5.

5. Raise the platform by pressing and holding the RAISE button until the lip extends just enough to clear the lip keepers, then release the RAISE button.

6. Allow the platform to drift down to the full below-dock position.



**Figure 19**

7. Proceed with loading or unloading (see Figure 19).

**Note:** When end unloading is finished and access to the rest of the transport vehicles is still required, the platform lip will need to be extended. See Ramp Loading/Unloading Instructions on page 24 for further instructions.

8. When end loading or unloading is finished, raise the platform by pressing and holding the RAISE button until the lip folds enough to land in the lip keepers, then release the RAISE button. The platform will return to the cross-traffic position.

9. Remove chocks from transport vehicle wheels, or release the vehicle restraint if used.

10. Indicate to driver that the transport vehicle may leave the dock.

# OPERATION

---

## Optional Equipment

### Quick Cycle Lip Extend (Lip Out)

**Note:** For dock levelers equipped with optional Quick Cycle Lip Extend/Lip Out, the dock leveler lip can be extended independently of the leveler platform with the following sequence:

1. Complete steps 1-4 in “Operating Instructions” on page 26.
2. When leveler has risen enough for lip to clear the transport vehicle bed, press and hold the LIP button in addition to the RAISE button. Leveler will stop raising and lip will extend.
3. When lip has fully extended, release RAISE and LIP buttons. Leveler will fall into transport vehicle with lip fully extended.
4. Continue with step 5 in “Operating Instructions.”

### Emergency Stop (E-Stop)

**Note:** For dock levelers equipped with optional Emergency Stop (E-Stop), dock leveler can be halted in place by using the Emergency Stop button:

1. While operating any function of the dock leveler, press the EMERGENCY STOP button.
2. Equipment being operated will halt in place.
3. When hazard has been cleared or system must be operated, pull the EMERGENCY STOP button outward.

## **WARNING**

When Emergency Stop is active, DO NOT go under the dock leveler, walk or drive on the dock leveler, or leave forklift and/or material sitting on the leveler!

If Emergency Stop button is pressed with the dock leveler unsupported in the working zone, the leveler will descend when E-Stop is released!

Always make sure the platform is properly supported in the raised position before entering the pit or going under the dock leveler.

4. Continue operating dock equipment as needed.

### Auto Return To Dock (ARTD)

**Note:** For dock levelers equipped with optional Auto Return To Dock (ARTD), the dock leveler can self-store if a transport vehicle departs the loading dock before the platform is stored.

To enable Auto Return To Dock, turn the ARTD switch to the ON position. If end loading or unloading is required, turn the ARTD switch to the OFF position and follow the steps on page 27. When end loading or unloading is complete, turn the ARTD switch back to the ON position, and the dock leveler will self-store.

## **CAUTION**

Whenever end loading or unloading with the platform in the below-dock position, make sure the ARTD switch is in the OFF position. DO NOT turn the ARTD switch to the ON position until end loading or unloading is finished.

## Maintenance Precautions



Figure 20

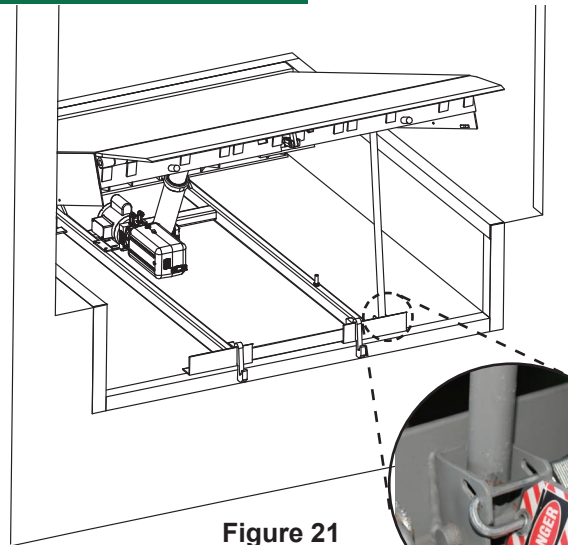


Figure 21

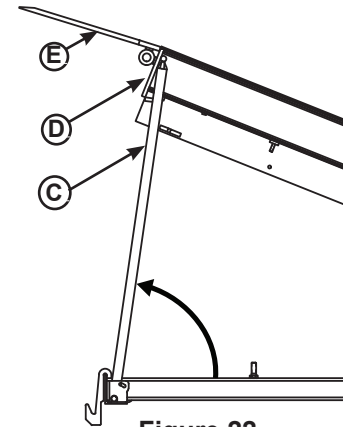


Figure 22

- A — Lock Out Device      C — Maintenance Prop      E — Lip plate  
 B — Tag Out                  D — Header plate

**! DANGER**

Unless the dock leveler is equipped with a tethered remote, two people are required to engage the maintenance prop: one person to operate the unit, the other person to engage the maintenance prop.

In addition, it is recommended and good safety practice to use an additional means to support the dock platform and lip anytime when physically working in front of or under the dock leveler. This additional means may include, but is not limited to a boom truck, fork truck, stabilizing bar or equivalent.

When working with electrical or electronic controls, make sure that the power source has been tagged (A) and locked out (B) according to OSHA regulations and approved local electrical codes (see Figure 20).

Whenever maintenance is to be performed under the dock leveler platform, support the platform with maintenance prop (C). Position the maintenance prop behind front header plate (D) while staying clear of the lip. The lip will fold down after the platform has rested on the maintenance prop. Lock the maintenance prop in the service (upright) position using an OSHA approved lockout device\* (B) and tag out device\* (A). See Figures 21 and 22.

**! WARNING**

Always post safety warnings and barricade the work area at dock level and ground level to prevent unauthorized use of the unit before maintenance is complete.

Only the person servicing the equipment should have the capability to remove the lockout devices. The tag out devices\* must inform that repairs are in process and clearly state who is responsible for the lockout condition.

**! WARNING**

A hard hat or other applicable head protection should always be worn when working under or around a dock leveler.

Always stand clear of platform lip when working in front of the dock leveler.

\* Refer to OSHA regulations 1910.146. Confined Space and 1910.147. Lockout/Tagout

# MAINTENANCE

## Periodic Maintenance

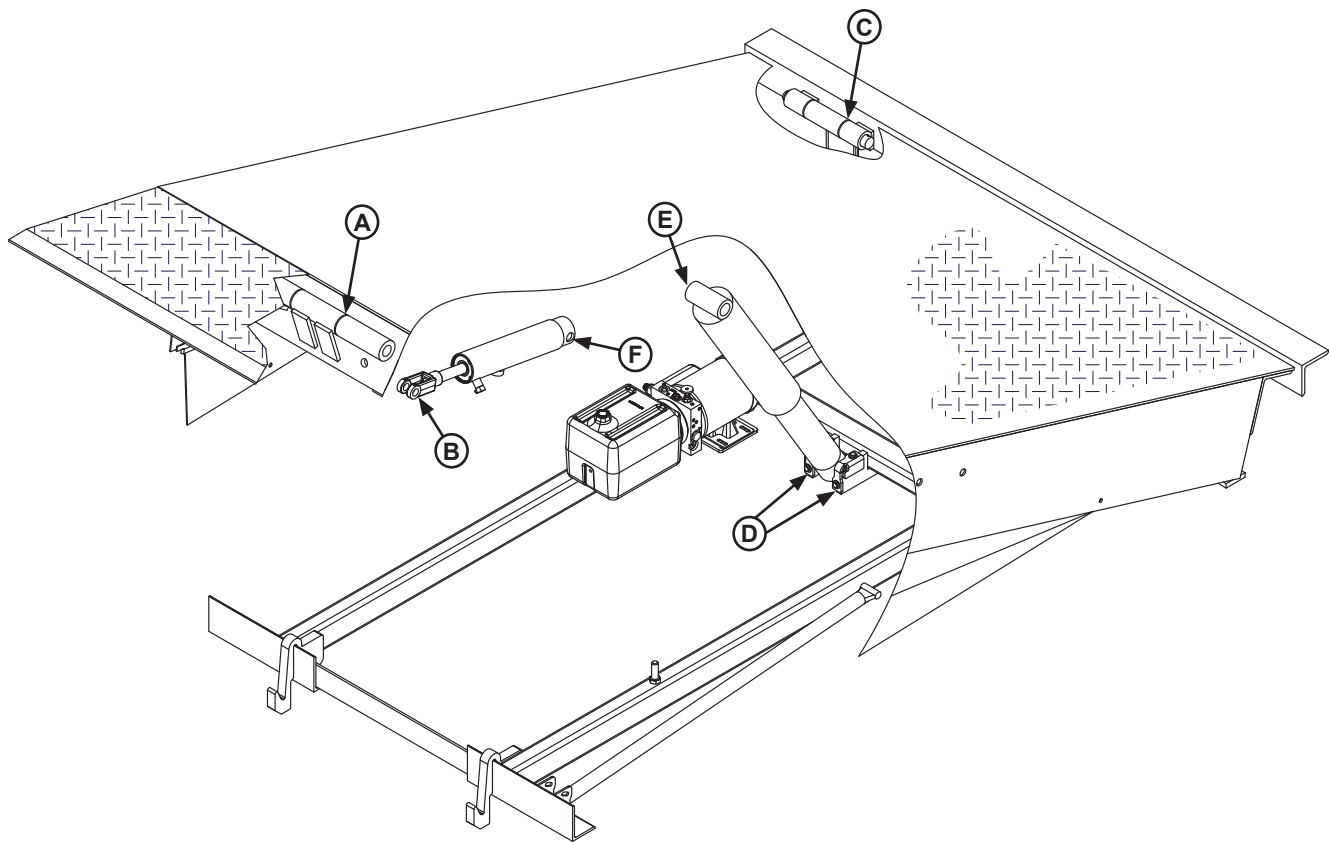


Figure 23

A— Lip Hinge Area  
B— Lip Lifter and Lip Cylinder Pin

C— Platform Hinge Area  
D— Platform Cylinder Trunnion

E— Platform Cylinder-to-Platform Pin  
F— Lip Cylinder-to-Platform Frame Pin

To ensure normal operation of the dock leveler, use only aircraft hydraulic fluid designed to meet or exceed military specification MIL-H-5606-G. It is recommended that the following hydraulic fluids be used:

- ULTRA-VIS-HVI-15
- Aero Shell Fluid 4 or Fluid 41
- Mobile Aero HFA Mil-H5606A or Aero HF
- Texaco Aircraft Hydraulic Oil 15 or 5606
- Exxon Univis J13
- Castrol Brayco Micronic 756

These fluid brands can be mixed together. Use of hydraulic fluids with equivalent specifications to those listed here are acceptable.

## NOTICE

Use of fluids that do not have equivalent specifications to those in the preceding list will result in abnormal operation of the dock leveler and voiding of warranty.

## Weekly Maintenance

- Operate the dock leveler through the complete operating cycle to maintain lubrication.

**Note:** To thoroughly inspect the platform hinge area, put the platform in the full below-dock position.

- Inspect the platform hinge and the lip hinge areas. The hinge areas must be kept free of dirt and debris. Build-up of foreign material in the hinge areas will cause abnormal operation.
- Inspect warning decals and placards. Replace if damaged or missing.



## Periodic Maintenance (continued)

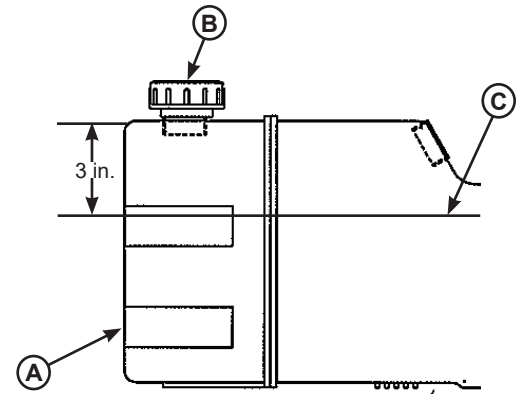
### Quarterly Maintenance

- Complete Weekly Maintenance.
- Inspect the following for damage/abnormal wear:
  - Check welds for cracks.
  - Cylinder pins and mounting holes.
  - Lip hinge pins and rear hinge pins.
  - Check toe guards for free movement.
  - Check J-box for water damage.
  - Inspect hoses, cylinders, fittings and powerpack.
  - Control box and conduit for damage.
  - Bumpers for more than 1" of wear. Replace worn, loose, damaged or missing bumpers.
  - Side and rear weather seals.
- Lubricate the following areas with light weight machine oil (see Figure 23):
  - (A)— Lip hinge area unless equipped with grease fittings (apply oil to the top of the entire length of lip hinge when platform is at the full below-dock position and lip is folded)
  - (B)— Lip lifter and lift cylinder pin
  - (C)— Platform hinge area (apply oil to top of all platform hinges when platform is at the full below-dock position)
  - (E)— Platform cylinder-to-platform frame pin
  - (F)— Lip cylinder-to-platform frame pin
- Lubricate the following areas with white lithium grease (see Figure 23):
  - (D) — All platform cylinder trunnions

**Note:** Apply grease to lip hinge grease fittings if equipped.

## NOTICE

Failure to properly lubricate the dock leveler will cause abnormal operation of the leveler.



**Figure 24**

**A - Reservoir**                      **C - Fluid Level**  
**B - Breather Cap**

- Check reservoir fluid level (C, see Figure 24):
  1. Raise platform fully and engage the maintenance prop in the service position. Allow platform to rest on the prop so the lip will fully fold until it contacts the lip stops.
  2. Turn OFF all electrical power to the leveler and lock out/tag out the electrical power supply.
  3. Remove breather cap (B).
  4. Measure fluid level. The fluid level should be approximately 3 in. (76.5 mm) from top of reservoir (C) with platform raised on the maintenance prop.
  5. Add hydraulic fluid if necessary. Use only recommended fluid (see page 30).
  6. Reinstall breather cap.
  7. Remove lock out/tag out and turn ON electrical power to the leveler.
  8. Return the platform to the cross-traffic position.

### Yearly Maintenance

- Complete Quarterly Maintenance.
- Change hydraulic oil (may be required more often depending upon conditions).

# ADJUSTMENTS

## Valve Adjustments (Monarch/Bucher Powerpacks, 9/2010-present)

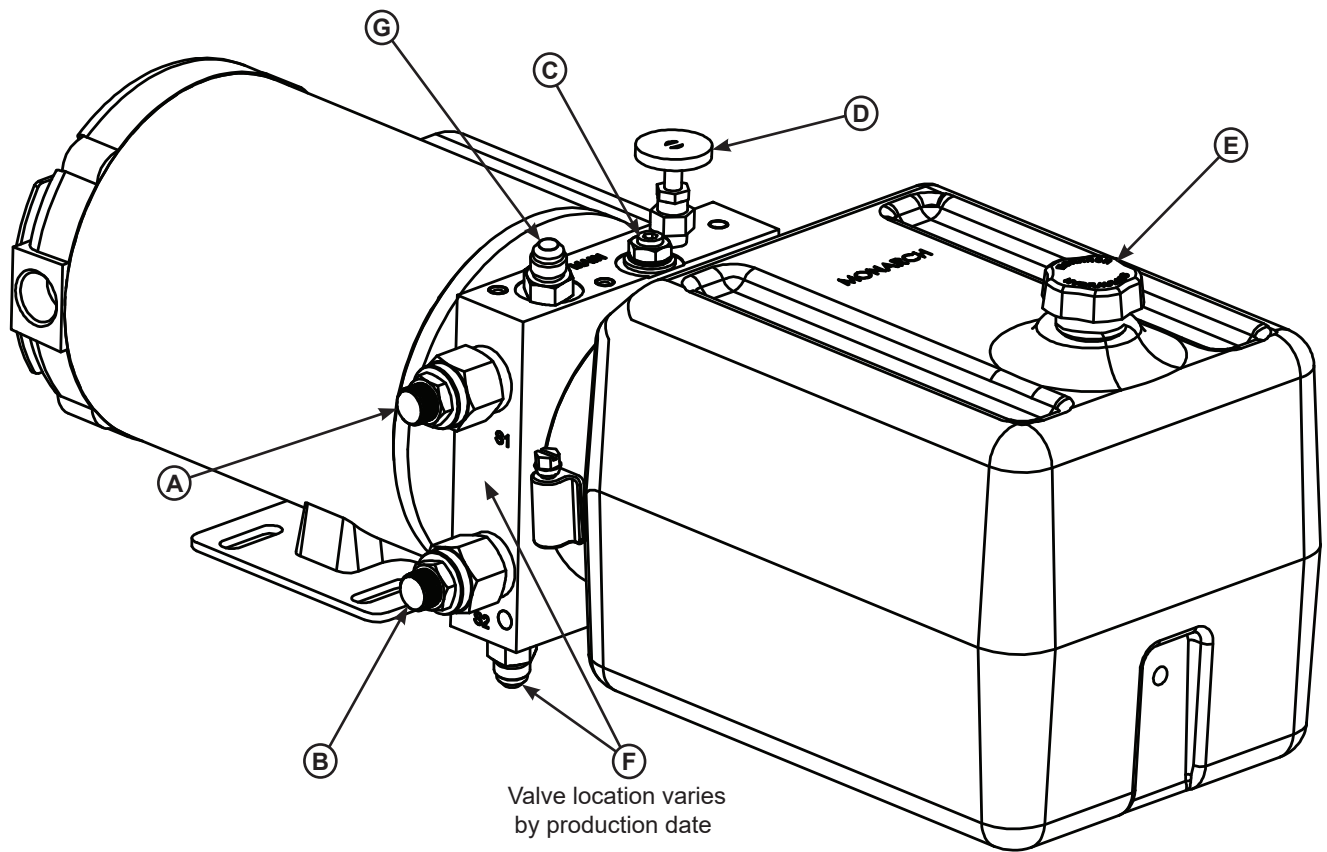


Figure 25

A— S1 Valve  
B— S2 Valve

C— RV1 Valve  
D— NV1 Valve

E— Breather Cap  
F— To Hoist Cylinder

G— To Lip Cylinder

## Valve Adjustments (Monarch/Bucher Powerpacks)

### S1 Sequence Valve 1 (A)

Controls the Platform Cylinder. When the leveler has reached the top of its travel allow the leveler to float down. Fluid should flow through the NV1 valve. If you hear the motor spinning backwards, or Leveler and/or Lip may dropping prematurely adjust S1 clockwise in small increments, testing each time, until the motor is not spinning backwards or Leveler and/or Lip may drop correctly.

### S2 Sequence Valve 2 (B)

Controls the Lip Cylinder. This valve should be set to allow a smooth, quiet shift. Turning S2 counter-clockwise causes the lip to extend.

If the lip does not extend turn S2 counter-clockwise out small increments until lip begins to extend. Once the lip is extended allow the powerpack to operate in pressure relief, then allow the leveler to return below dock.

Raise the leveler and continue to adjust the S2 valve to allow a smooth, quiet shift. When adjusted properly, the lip should stay extended until below dock. Lip extension cycle should not take more than a few seconds.

### RV1 Main Relief Valve (C)

Sets system pressure. This valve has a security lock to prevent adjustment. Do not adjust unless specifically instructed by Systems, LLC Technical Services.

### NV1 Needle Valve 1 (D)

Controls the Down speed of the ramp cylinder. Increase Down speed by turning NV1 counter-clockwise, Decrease Down speed by turning NV1 clockwise.

### PO CHK Pilot Operated Check Valve (not shown)

Keeps Lip from collapsing until it is below dock. This valve is not adjustable. If lip malfunctions, cleaning or replacement may be required.

## DANGER

Unless the dock leveler is equipped with a tethered remote, two people are required to engage the maintenance prop: one person to operate the unit, the other person to engage the maintenance prop.

In addition, it is recommended and good safety practice to use an additional means to support the dock platform and lip anytime when physically working in front of or under the dock leveler. This additional means may include, but is not limited to a boom truck, fork truck, stabilizing bar or equivalent.

## WARNING

When service under the dock leveler is required, always lock all electrical disconnects in the OFF position after raising the platform and engaging the maintenance prop.

Always post safety warnings and barricade the work area at dock level and ground level to prevent unauthorized use of the dock leveler before maintenance is complete.

A hard hat or other applicable head protection should always be worn when working under or around a dock leveler.

Always stand clear of platform lip when working in front of the dock leveler.

## NOTICE

All DLM DH dock levelers are factory tested, and should not require additional adjustments in the field. Consult Systems, LLC Technical Services if minor adjustments do not result in proper operation.

Whenever valve adjustments are completed, record the number of turns made to allow an undesirable adjustment result to be reversed.

# ADJUSTMENTS

## Valve Adjustments (Hoke/KTI Powerpacks, pre-9/2010)

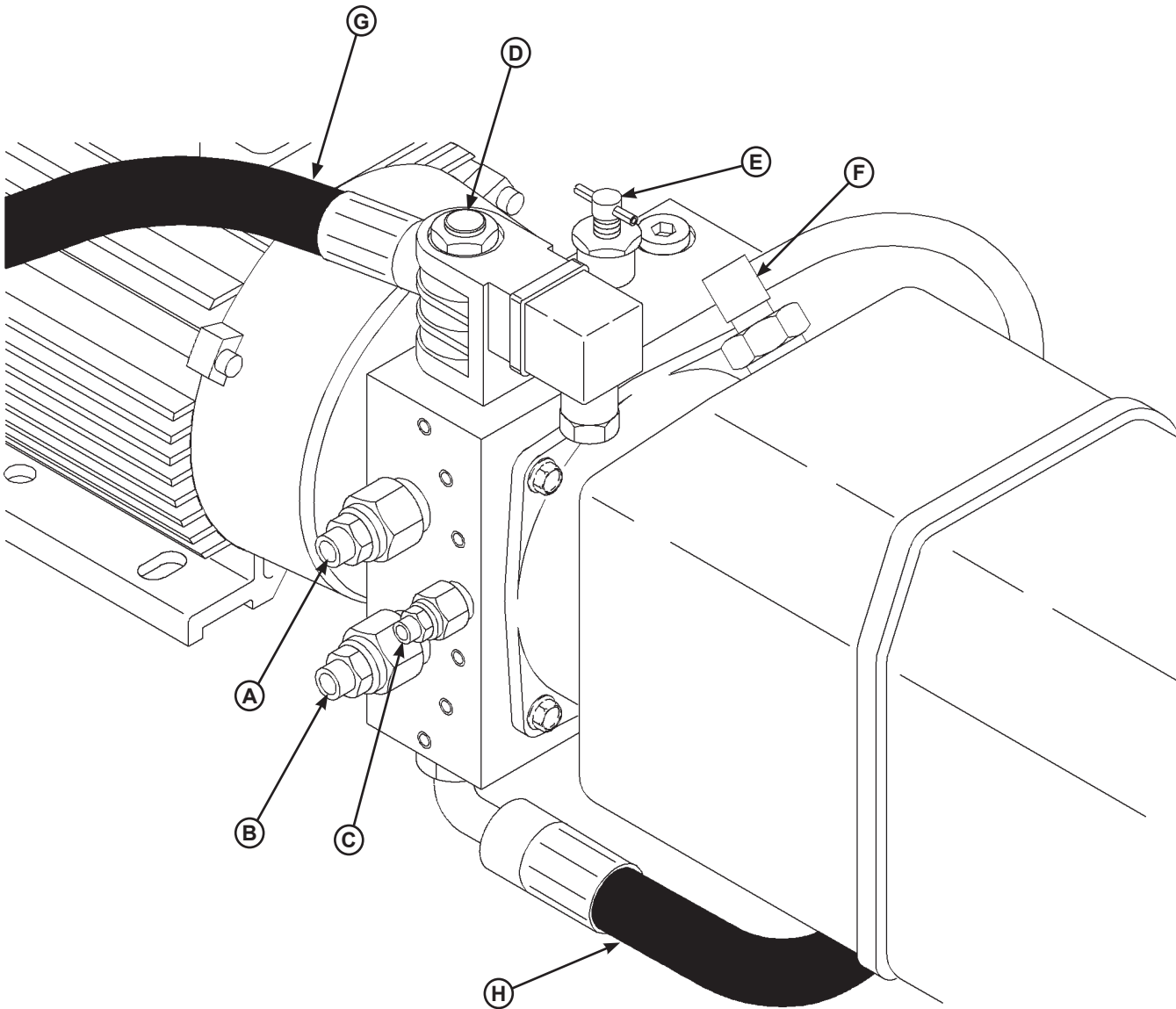


Figure 26

A—S1 Valve  
B— S2 Valve

C—RV1 Valve  
D— 2W NO Spool Valve

E— NV1 Valve  
F— Breather Tube/Fitting

G—To Hoist Cylinder  
H—To Lip Cylinder

Note: Not pictured (on the bottom of the valve body) are the RV2 and PO Check Valves

## Valve Adjustments (Hoke/KTI Powerpacks)

### **S1 Sequence Valve 1 (A)**

Controls the Platform Cylinder. When the leveler has reached the top of its travel allow the leveler to float down. Fluid should flow through the NV1 valve. If you hear the motor spinning backwards, or Leveler and/or Lip may dropping prematurely adjust S1 clockwise in small increments, testing each time, until the motor is not spinning backwards or Leveler and/or Lip may drop correctly.

### **S2 Sequence Valve 2 (B)**

Controls the Lip Cylinder. This valve should be set to allow a smooth, quiet shift. Turning S2 counter-clockwise causes the lip to extend.

If the lip does not extend turn S2 counter-clockwise out small increments until lip begins to extend. Once the lip is extended allow the powerpack to operate in pressure relief, then allow the leveler to return below dock.

Raise the leveler and continue to adjust the S2 valve to allow a smooth, quiet shift. When adjusted properly, the lip should stay extended until below dock. Lip extension cycle should not take more than a few seconds.

### **RV1 Main Relief Valve (C)**

Sets system pressure. This valve has a security lock to prevent adjustment. Do not adjust unless specifically instructed by Systems, LLC Technical Services.

### **Optional: 2W Normally Open Spool Valve (D)**

If present, allows operation of Lip Out and Emergency Stop functions when solenoid coil is energized.

### **NV1 Needle Valve 1 (E)**

Controls the Down speed of the ramp cylinder. Increase Down speed by turning NV1 counter-clockwise, Decrease Down speed by turning NV1 clockwise.

### **RV2 Relief Valve 2 (not shown)**

Allows the lip to collapse below dock, protects the lip if it is backed in to. Set the RV2 valve by backing out adjustment screw as far as it goes.

Return leveler to keepers and begin to raise it. Halfway up, allow the leveler to return for a second, then raise leveler. The lip should not extend. If lip extends, turn S2 valve clockwise 1/4 turn and repeat until lip does not extend.

## NOTICE

All DLM DH dock levelers are factory tested, and should not require additional adjustments in the field. Consult Systems, LLC Technical Services if minor adjustments do not result in proper operation.

Whenever valve adjustments are completed, record the number of turns made to allow an undesirable adjustment result to be reversed.

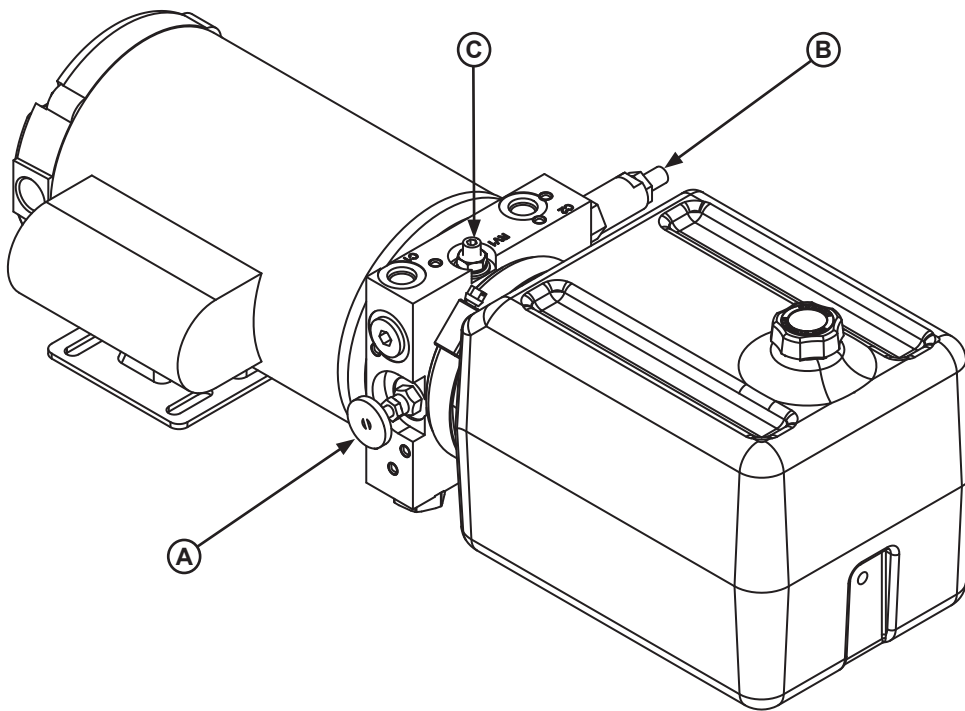
### **PO Pilot Operated Check Valve (not shown)**

Keeps Lip from collapsing until it is below dock. This valve is not adjustable. If lip malfunctions, cleaning or replacement may be required.

# ADJUSTMENTS

---

## Valve Adjustments (Bucher Powerpacks - 60K or 10' Levelers)



**Figure 27**

A— Needle Valve

B— Sequence Valve

C— RV1 Valve

## Valve Adjustments (Bucher Powerpacks, 60K or 10' Levelers)

### Needle Valve (A)

Controls the lowering speed of the Hoist Cylinder. Increase down speed by loosening jam nut and turning thumb wheel counter-clockwise. Decrease down speed by turning thumb wheel clockwise. Tighten jam nut after adjustment.

### Sequence Valve (B)

Controls the Lip Cylinder. Turning the sequence valve counter-clockwise causes the lip plate to extend. If the lip plate does not extend, loosen jam nut and turn valve counter-clockwise, in small increments, until lip begins to extend. If the lip extends too early (before platform reaches full height), turn the sequence valve clockwise in small increments until correct performance is achieved. Tighten jam nut after adjustment.

### RV1 Main Relief Valve (C)

Sets system pressure. This valve has a security lock to prevent adjustment. Do not adjust unless specifically instructed by Systems, LLC Technical Services.

## **NOTICE**

All Poweramp EH dock levelers are factory tested, and should not require additional adjustments in the field. Consult Systems, LLC Technical Services if minor adjustments do not result in proper operation.

Whenever valve adjustments are completed, record the number of turns made to allow an undesirable adjustment result to be reversed.

# ADJUSTMENTS

---

## Adjust Auto Return To Dock (ARTD)

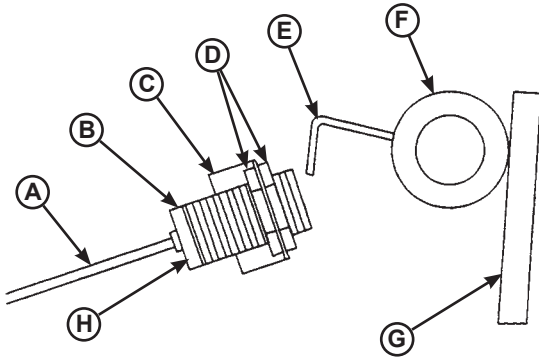


Figure 28

- |                     |                    |
|---------------------|--------------------|
| A— Cable            | E— Target          |
| B— Proximity Switch | F— Lip Hinge Tube  |
| C— Bracket          | G— Platform Lip    |
| D— Lock Nuts        | H— Indicator Light |

### Auto Return To Dock (ARTD)

EH levelers can be equipped with optional Auto Return To Dock (ARTD) if leveler is not interlocked with a transport vehicle restraint.

The ARTD uses a proximity switch (**B**) located under the platform and a piece of angled steel called the target (**E**) that is attached to the lip hinge tube (**F**). See Figure 28.

The proximity switch provides a six-second delay after the platform has lowered to the full below-dock position, after which the platform will return to the cross-traffic position. The switch also contains an indicator light (**H**) that can be used for diagnosing and adjusting the switch.

**Note:** Some proximity switches have an indicator light at the back of the housing and some have the light at the side of the housing.



## Adjust Auto Return To Dock (ARTD, continued)

### NOTICE

Whenever proximity switch and target are adjusted, check for interference between target and switch before operating the leveler. Damage to switch will occur if the target contacts the switch.

The maximum torque for proximity switch lock nuts is 27 N·m (29 lb-ft). Damage to switch will occur if maximum torque is exceeded.

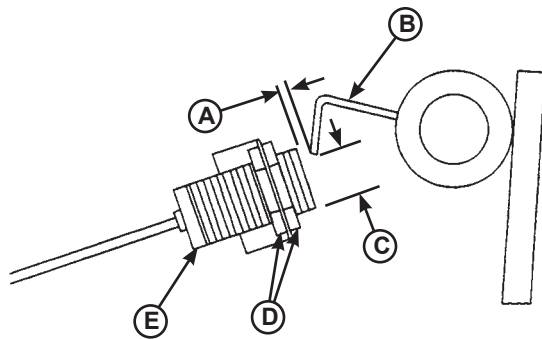


Figure 29

A— 1/4 in. (6.4 mm)  
Approximate  
B— Target

C— 1 in. (25.4 mm)  
Approximate  
D— Lock Nuts  
E— Proximity Switch

**Note:** Distances (A and C) in Figure 29 are typical factory settings. Use these dimensions only as a starting point when adjusting the proximity switch and target, especially if switch and/or target have been replaced.

When dimensions (A and C) are obtained, the proximity switch and target may need finer adjustments to get the ARTD to operate as desired.

### Adjust Auto Return To Dock (ARTD)

1. Raise platform fully and engage the maintenance prop in the service position. Allow platform to rest on the prop so the lip will fully fold until it contacts the lip stops.
2. Turn OFF all electrical power to the leveler and lock out/tag out the electrical power supply.
3. Loosen lock nuts (D). Adjust proximity switch (E) to obtain distance (A). Tighten lock nuts.
4. Bend target (B) as needed to obtain distance (C). Recheck distance (A) and readjust if necessary.

**Note:** At least two people may be required to manually move the lip.

5. After adjusting proximity switch and target, slowly move the lip up by hand while observing the target and proximity switch. The target **MUST NOT** contact the switch, otherwise, damage to switch will occur. Readjust switch and/or target if necessary, then recheck for interference.

6. Remove lock out/tag out and turn ON electrical power to the leveler.

7. Disengage the maintenance prop.

8. Turn the ARTD switch (on control panel) to the ON position.

9. Raise the platform until the lip is fully extended, then allow the platform to drift to the below-dock position. After approximately 6 seconds, the platform should return to the cross-traffic position.

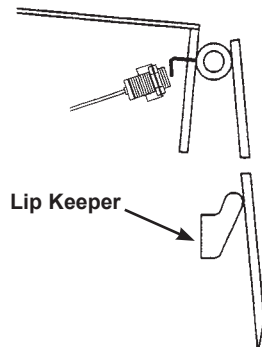
10. Adjust the proximity switch and target as necessary. Make small adjustments, then operate the dock leveler to check results. Do this until satisfied with the ARTD operation.

**Note:** Use the illustrations on pages 36-37 to assist in fine tuning and/or diagnosing the ARTD operation.

# ADJUSTMENTS

## Adjust Auto Return To Dock (ARTD, continued)

### Full Below-Dock Position

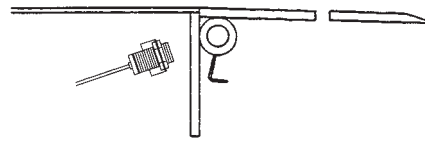


**Figure 30**

Whenever the platform lip is at the full below-dock position, the following conditions will exist for a normally operating ARTD (see Figure 30):

- Target in sensing area of proximity switch.
- Proximity switch ON (closed, signal sent to the control panel).
- Proximity switch indicator light is ON.
- Platform will automatically rise after approximately a six-second delay, then return to the cross-traffic position.

### Lip Fully Extended Position

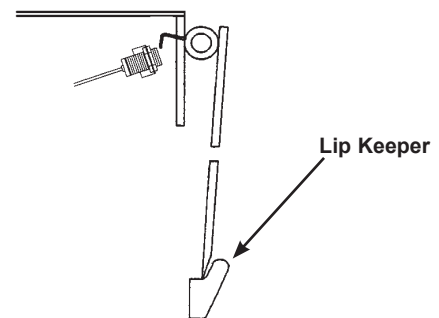


**Figure 31**

Whenever the platform lip is at the fully extended position, the following conditions will exist for a normally operating ARTD (see Figure 31):

- Target not in the sensing area of proximity switch.
- Proximity switch OFF (open, no signal sent to the control panel).
- Proximity switch indicator light is OFF.
- If the platform lip is resting on the transport vehicle bed, the platform will stay at this position unless the operator activates the leveler.

### Cross-Traffic/Lip Fully Folded Position



**Figure 32**

**Note:** The platform lip is fully folded when the platform is at the cross-traffic position (stored, with lip engaged with keepers) or when platform is resting on the maintenance prop.

Whenever the platform lip is at the cross-traffic or fully folded position, the following conditions will exist for a normally operating ARTD (see Figure 32):

- Target not in the sensing area of proximity switch.
- Proximity switch OFF (open, no signal sent to control panel).
- Proximity switch indicator light is OFF.
- Platform stays at this position unless the operator activates the leveler.

## Adjust Optional Leveler Stored Sensor

DH levelers are available with optional interlocking. When equipped, a sensor is mounted near the lip hinge to monitor the leveler position. The sensor can monitor the following conditions:

**Stored** - Lip plate is resting in the lip keepers (**D**). In the stored position, target (**A**) is directly in front of the sensor (**B**). See **Figure 33**.

**Not Stored** - Lip plate is outside of lip keepers and or not pendant (not completely folded). Common positions include the Raised Position (**Figure 34**) and Below Dock Position (**Figure 35**). In any condition where the lip is not completely folded, the sensor should not read the target.

1. To inspect the sensor and target alignment, raise the leveler and position the maintenance prop behind the header. Then lockout/ tag out the equipment.

### **DANGER**

Unless the dock leveler is equipped with a tethered remote, two people are required to engage the maintenance prop: one person to operate the unit, the other person to engage the maintenance prop.

In addition, it is recommended and good safety practice to use an additional means to support the dock platform and lip anytime when physically working in front of or under the dock leveler. This additional means may include, but is not limited to a boom truck, fork truck, stabilizing bar or equivalent.

2. When the sensor and target are positioned correctly, the target should be parallel to the face of the sensor with a gap of 1/4", when the lip is in the stored position. See **Figure 33**.

3. To adjust the sensor, loosen the nuts (**C**) around the sensor body to move the sensor and achieve the correct gap.

4. Verify that the target will not contact the sensor face, or damage to the sensor may occur.

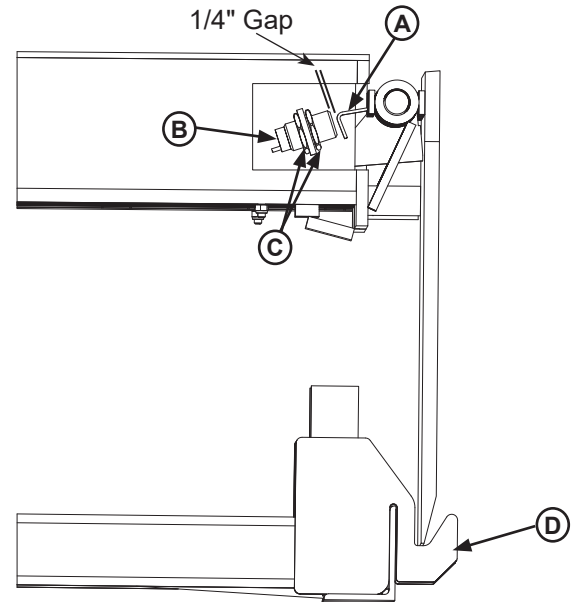


Figure 33

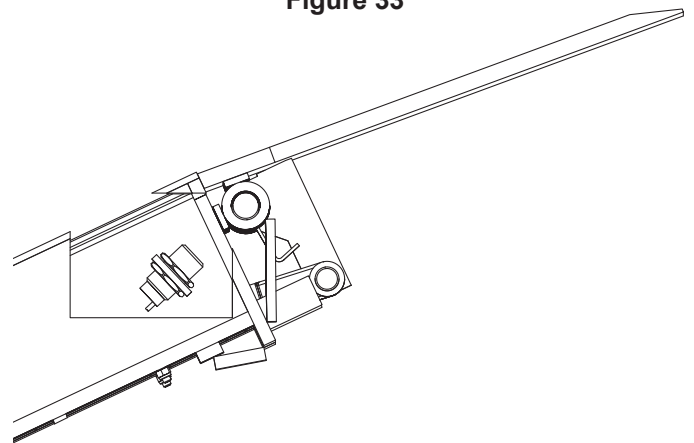


Figure 34

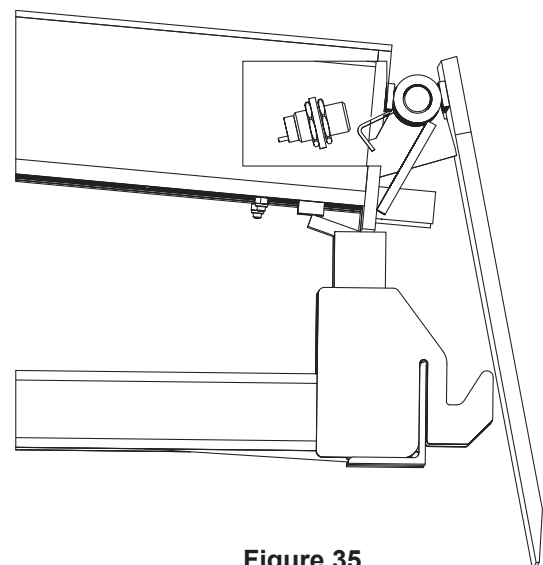


Figure 35

# TROUBLESHOOTING

## **DANGER**

Unless the dock leveler is equipped with a tethered remote, two people are required to engage the maintenance prop: one person to operate the unit, the other person to engage the maintenance prop.

In addition, it is recommended and good safety practice to use an additional means to support the dock platform and lip anytime when physically working in front of or under the dock leveler. This additional means may include, but is not limited to a boom truck, fork truck, stabilizing bar or equivalent.

## **WARNING**

When service under the dock leveler is required, always lock all electrical disconnects in the OFF position after raising the platform and engaging the maintenance prop.

Always post safety warnings and barricade the work area at dock level and ground level to prevent unauthorized use of the dock leveler before maintenance is complete.

A hard hat or other applicable head protection should always be worn when working under or around a dock leveler.

Always stand clear of platform lip when working in front of the dock leveler.

**Before performing the detailed troubleshooting procedures, check the following items first:**

- Check all fuses inside the control panel(s). Replace any blown fuse(s) with a fuse of equal specification.
- Make sure the correct voltages are present at the proper locations inside the control panel(s).

| Symptom   | Possible Cause  | Solution   |
|---|---|--|
| <b>Platform does not rise.<br/>Motor does not energize.</b> | Motor overload device tripped.  | Reset overload relay or breaker. Determine cause of device tripping.   |
|   | Motor starter (three-phase) or motor relay (single-phase) not energizing. | Check voltage at starter or relay coil. <ul style="list-style-type: none"> <li>• If voltage is present and starter or relay does not energize, replace starter or relay.</li> <li>• If voltage is not present, check all components in series with the starter or relay coil.</li> </ul> |

# TROUBLESHOOTING

| Symptom  | Possible Cause  | Solution  |
|--|---|---|
| <b>Three-phase units only:</b><br><b>Platform does not rise.</b><br><b>Motor hums, but does not run.</b>                                     | No voltage is present on one line.<br><br><i>NOTE: A motor that is missing voltage on one line is said to be single-phased.</i> | Check for blown fuses at branch circuit disconnect. Replace fuse. Determine cause of blown fuse.  |
|  |   | Check motor starter as follows:<br>1. Disconnect wires at load side of starter.<br>2. Energize the starter.<br>3. Measure line-to-line voltage at line side of starter.<br>4. Measure line-to-line voltage at load side of starter.<br>5. Line-side and load-side voltages should be approximately the same. Replace starter if voltage values are considerably different from one another. |
|  |   | Check all wiring to motor for high resistance or no connection.   |
| <b>Three-phase units only:</b><br><b>Platform does not rise.</b><br><b>Motor runs in reverse</b>   | Phase reversed.   | Reverse any two legs at the branch circuit disconnect.  |
| <b>Single-phase units only:</b><br><b>Platform does not rise.</b><br><b>Motor energizes, but does not run.</b>                               | Line voltage too low.   | Check wiring to motor for high resistance. Check for loose or corroded connections. Check if gauge of wires to motor are of correct size and specification for load requirement. Replace if necessary.  |
|  | Faulty motor centrifugal switch.  | Replace motor.  |
|  | Faulty motor capacitor.   | Replace motor.  |
| <b>Units equipped with ARTD only:</b><br><b>Platform does not automatically return to the cross-traffic position or operates abnormally.</b> | Auto return proximity switch not sensing target correctly.  | Adjust proximity switch and target as necessary. See Adjust Auto Return To Dock (ARTD) on pages 36-38.  |
|  | Faulty proximity switch.  | Replace switch.   |
|  | Loose/corroded wire connections or broken wire.   | Repair or replace wires and connections as necessary.   |

# TROUBLESHOOTING

| Symptom   | Possible Cause                                       | Solution  |
|---|--|---|
| Platform does not rise. Pump operates in pressure relief mode.        | Heavy object(s) on platform.                         | Remove object(s) from platform.<br><b>Note:</b> For safety reasons, the dock leveler is designed to lift only the platform's own weight.  |
|   | Dock leveler binds.                                  | Check for visible obstructions that could cause binding. Remove obstructions. If no obstructions found, contact Systems, LLC Technical Services.  |
|   | Pressure relief set too low.                         | Increase pressure relief. Contact Systems, LLC Technical Services for instruction.<br><b>Note:</b> The pressure relief valve must not be set at a level that causes the motor operating current to exceed the full load amp value* at any time, including when operating in pressure relief.<br><br><i>* The full load amp value can be found on the inside cover of the control panel.</i> |
| Platform rises slowly.  | Low hydraulic fluid.                                 | Add fluid, see pages 30-31 for proper fluid level and type.   |
|   | Contaminated hydraulic system.                       | Clean and inspect valves. Flush contaminated oil from hydraulic system. Fill system with new oil. See page 31..   |
|   | Damage or blocked hydraulic hose(s) and/or valve(s). | Replace damaged hose(s). Check and remove blockage from hose(s) and/or valve(s).  |
|   | Pressure relief set too low.                         | Increase pressure relief. Contact Systems, LLC Technical Services for instruction.<br><b>Note:</b> The pressure relief valve must not be set at a level that causes the motor operating current to exceed the full load amp value* at any time, including when operating in pressure relief.<br><br><i>* The full load amp value can be found on the inside cover of the control panel.</i> |
| Pump motor loads down when platform reaches the full raised position. | Pressure relief set too high.                        | Decrease pressure relief. Contact Systems, LLC Technical Services for instruction.<br><b>Note:</b> The pressure relief valve must not be set at a level that causes the motor operating current to exceed the full load amp value* at any time, including when operating in pressure relief.<br><br><i>* The full load amp value can be found on the inside cover of the control panel.</i> |

# TROUBLESHOOTING

| Symptom   | Possible Cause  | Solution  |
|---|---|---|
| <b>Platform does not rise to full height.</b>   | Low hydraulic fluid.  | Add fluid, see pages 30-31 for proper fluid level and type.               |
| <b>Lip does not stay extended when leveler lowers.</b>  | S1 Sequence Valve requires adjustment.                                      | Adjust valve as necessary. See pages 32-35 for adjustment instructions.   |
| <b>Platform DOES rise to full height, but lip DOES NOT extend or extend fully.</b>                                  | Low hydraulic fluid.  | Add fluid, see pages 30-31 for proper fluid level and type.               |
|   | S2 Sequence Valve 2 requires adjustment.                                    | Adjust valve as necessary. See pages 32-35 for adjustment instructions.   |
| <b>Lip does not extend.</b>   | S2 Sequence Valve 2 requires adjustment.                                    | Adjust valve as necessary. See pages 32-35 for adjustment instructions.   |
| <b>Lip extends almost immediately when the RAISE button is Pressed. Platform rises after lip is fully extended.</b> | S2 Sequence Valve 2 requires adjustment.                                    | Adjust valve as necessary. See pages 32-35 for adjustment instructions.   |
| <b>Platform locks into “safety” as platform lowers. Lip drops to vertical position.</b>                             | Platform lowering speed is too fast; NV1 Needle Valve 1 requires adjustment | Adjust valve as necessary. See pages 32-35 for adjustment instructions.   |
|   | Faulty velocity fuse.   | Replace velocity fuse.  |
|   | Incorrect or aged hydraulic fluid.  | Replace hydraulic fluid, see pages 30-31 for proper fluid level and type. |

If additional troubleshooting assistance is required, contact Systems, LLC Technical Services with equipment serial number or customer order number (CO#).

**Technical Service at 800-643-5424 or [techservices@loadingdocksystems.com](mailto:techservices@loadingdocksystems.com)**

# PARTS

## Danfoss Control Box

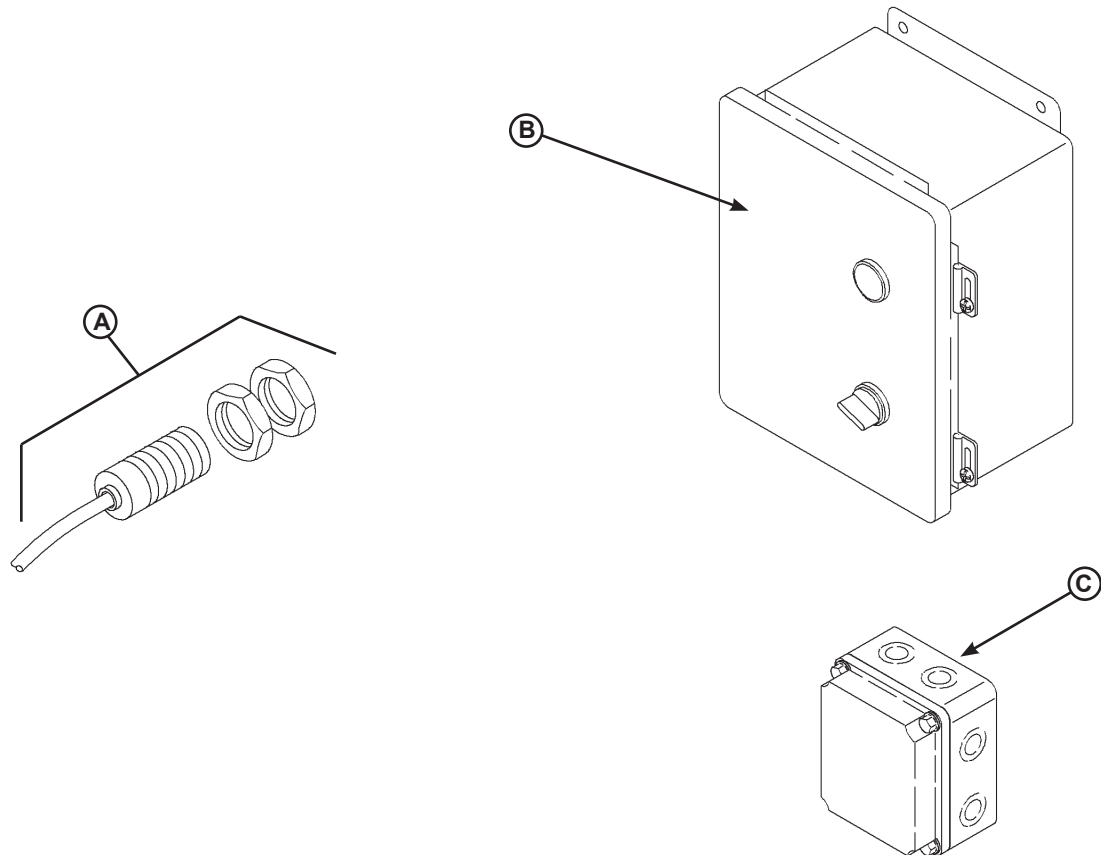


| Part Number | Voltage | Phase   | Description                     |
|-------------|---------|---------|---------------------------------|
| 7141-0268   | 110v    | 1-Phase | Danfoss Control Box (MTR 3627A) |
| 7141-0329   | 208v    | 1-Phase | Danfoss Control Box (MTR 3627B) |
| 7141-0269   | 230v    | 1-Phase | Danfoss Control Box (MTR 3627C) |
| 7141-0310   | 208v    | 3-Phase | Danfoss Control Box (MTR 3627D) |
| 7141-0270   | 230v    | 3-Phase | Danfoss Control Box (MTR 3627E) |
| 7141-0271   | 460v    | 3-Phase | Danfoss Control Box (MTR 3627F) |

\* Provide dock leveler serial number, voltage, phase, and options when e-mailing, calling or faxing controller orders.



## Optional Electrical Parts

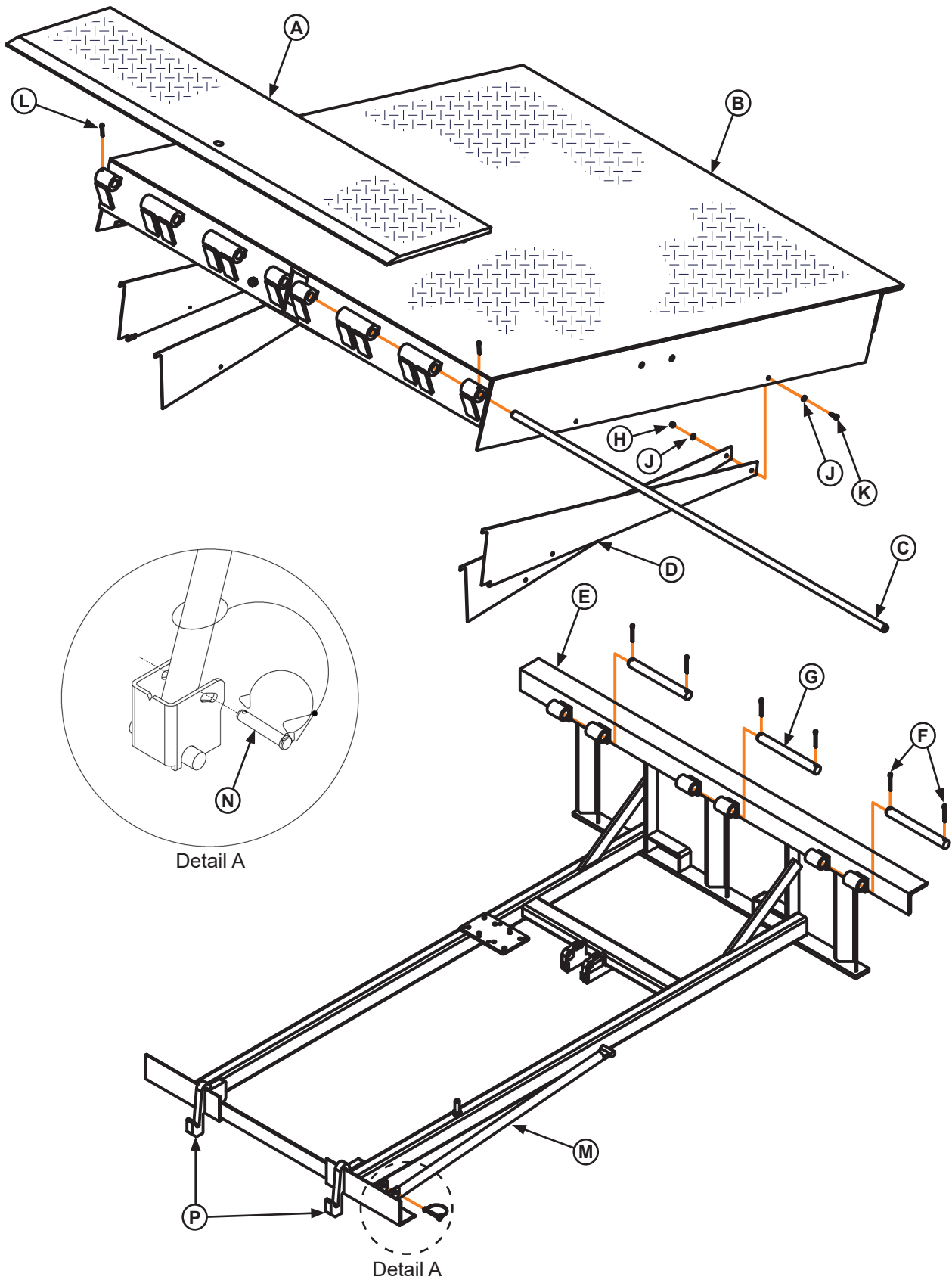


| Item | Quantity | Part Number | Description                                       |
|------|----------|-------------|---|
| A    | 1        | 0961-0085   | Proximity Switch with Harness (ARTD Feature Only) |
| B    | 1        | *           | Control Box w/Optional Equipment                  |
| C    | 1        | 9511-0004   | J-Box, Standard (4 x 4 in. Metal Box)             |
|      |          | 2751-0042   | J-Box, Cold Weather (5 x 5 in. Plastic Box)       |

\* Provide dock leveler serial number, voltage, phase, and options when e-mailing, calling or faxing controller orders.

# PARTS

## Frame and Platform



## Frame and Platform

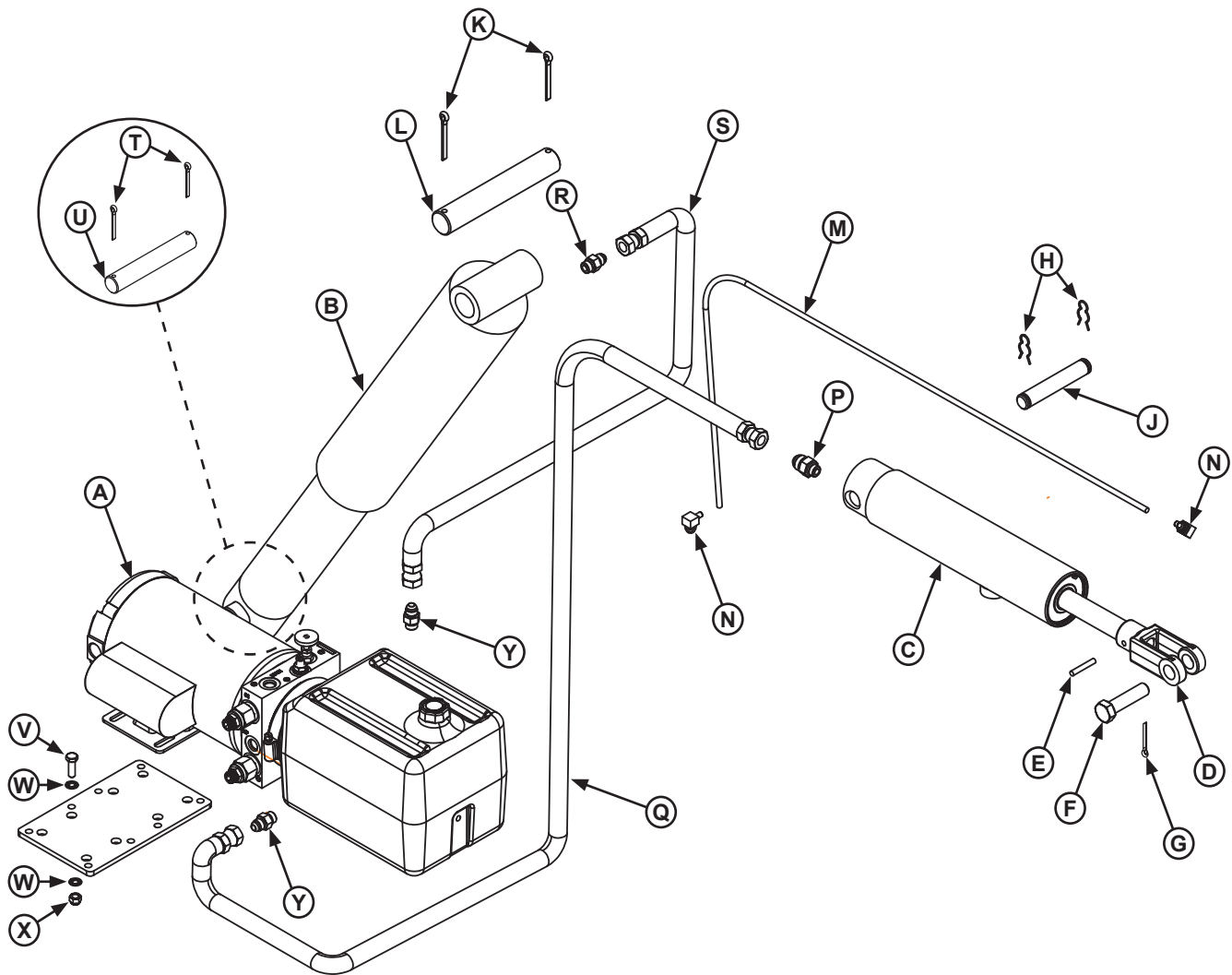
| Item | Quantity | Part Number            | Description                    |
|------|----------|------------------------|--------------------------------|
| A    | 1        | 0595-____ <sup>1</sup> | Lip, Welded Assembly           |
| B    | 1        | 7823-____ <sup>2</sup> | Platform, Welded Assembly      |
| C    | 1        | 9515-____ <sup>1</sup> | Pin, Lip Hinge                 |
| D    | 1        | See Page 55            | Toe Guards                     |
| E    | 1        | 9202-____ <sup>1</sup> | Frame, Welded Assembly         |
| F    | 6        | 2101-0047              | Cotter Pin, 1/4 x 2 in.        |
| G    | 3        | 9202-0002              | Rear Hinge Pin                 |
| H    | AR       | 2101-0039              | Nylon Lock Nut, 5/16-18 UNC    |
| J    | AR       | 2101-0163              | Washer, 5/16 in., Flat         |
| K    | AR       | 2101-0011              | Cap Screw, 5/16-18 UNC x 1 in. |
| L    | 2        | 2101-0046              | Cotter Pin, 1/4 x 1-1/4 in.    |
| M    | 1        | 9225-____ <sup>1</sup> | Maintenance Prop Rod           |
| N    | 1        | 9201-0006              | Prop Pin and Clip              |
| P    | 2        | 8432-____ <sup>1</sup> | Lip Keeper                     |

AR = As Required

<sup>1</sup> Provide dock leveler serial number, platform size, and lip size when e-mailing, calling or faxing orders.

# PARTS

## Hydraulic Components



## Hydraulic Components

| Item | Quantity | Part Number | Description   |
|------|----------|-------------|---|
| A    | 1        | 9391-0045   | Powerpack, 1-Phase, 115/230V                                    |
|      |          | 9391-0046   | Powerpack, 3-Phase, 208/230/460/575V                            |
|      |          | DOTH-2583   | PPAC, Bucher, 1.25hp, 1Phase, 115/230V                          |
|      |          | DOTH-2584   | PPAC, Bucher, 1.25hp, 3Phase, 208/230/460/575V                  |
| B    | 1        | 0521-0159   | Cylinder, Platform, EH  |
| C    | 1        | 0525-0085   | Cylinder Assembly, Lip  |
| D    | 1        | 0522-0189   | Yoke  |
| E    | 1        | 0521-0005   | Roll Pin, 1/4" x 1.5" Long                                      |
| F    | 1        | 0522-0005   | Clevis Pin, 3/4" x 2", Plated                                   |
| G    | 1        | 2101-0045   | Cotter Pin, 1/8" Diameter x 1" Long                             |
| H    | 2        | 2101-0049   | Clip, Hairpin, 5/8" Diameter                                    |
| J    | 1        | 9202-0004   | Pin, Lip Cylinder Mounting, 3/4" x 4.38" Long                   |
| K    | 2        | 2101-0047   | Cotter Pin, 1/4" x 2" Long                                      |
| L    | 1        | 9202-0058   | Pin, Hoist Cylinder Mounting, 1.25" x 7.5" Long                 |
| M    | 1        | R509-0060   | Tube, Vent (3/8" OD x 1/16" Wall)                               |
| N    | 2        | 0521-0007   | Elbow, 90° 1/4 NPT Male x 1/4 Tube                              |
| P    | 1        | 9301-0111   | Fitting, #6-ORB Male x #8-JIC Male                              |
| Q    | 1        | 9904-0128   | Hose, Lip Cylinder, 6' Leveler                                  |
|      |          | 9904-0129   | Hose, Lip Cylinder, 8' Leveler                                  |
|      |          | 9904-0130   | Hose, Lip Cylinder, 10' Leveler                                 |
| R    | 1        | 8581-0127   | Velocity Fuse, 4GPM, #8 Male Straight Thread ORB to #8-JIC Male |
| S    | 1        | 9904-0128   | Hose, Platform Cylinder   |
| T    | 2        | 2101-0047   | Cotter Pin, 1/4" x 2" Long                                      |
| U    | 1        | 9202-0059   | Pin, Hoist Cylinder Mounting, 1.25" x 5.5" Long                 |
| V    | 4        | 2101-0011   | Cap Screw, 5/16-18 UNC x 1 in.                                  |
| W    | 8        | 2101-0058   | Washer, 5/16"   |
| X    | 4        | 2101-0039   | Nylon Lock Nut, 5/16-18 UNC in.                                 |
| Y    | 2        | 9301-0109   | Fitting, #6 SAE to #6 JIC                                       |

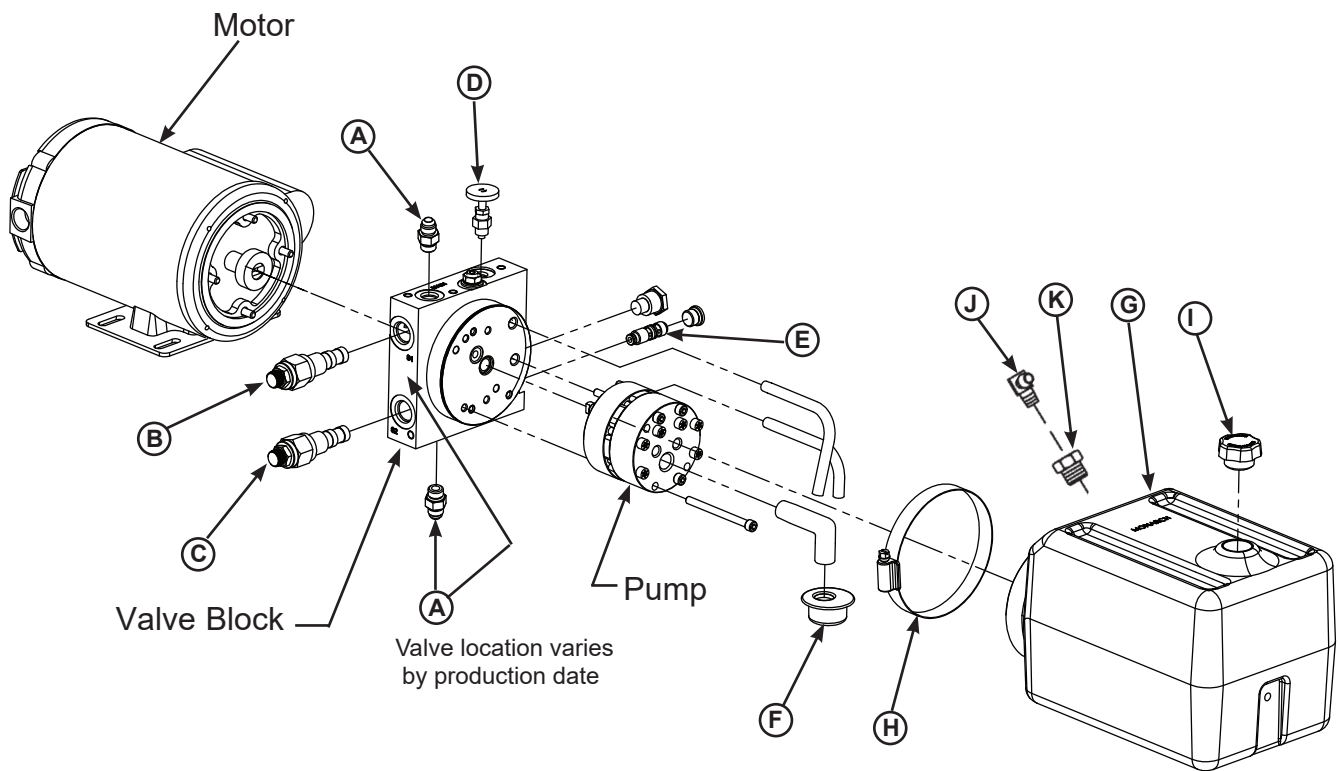
<sup>1</sup> Provide length and diameter of hose when e-mailing, calling or faxing orders.

<sup>2</sup> Provide length of lip cylinder when e-mailing, calling or faxing orders.

<sup>3</sup> Provide dock leveler serial number, voltage, and phase when e-mailing, calling or faxing orders.

# PARTS

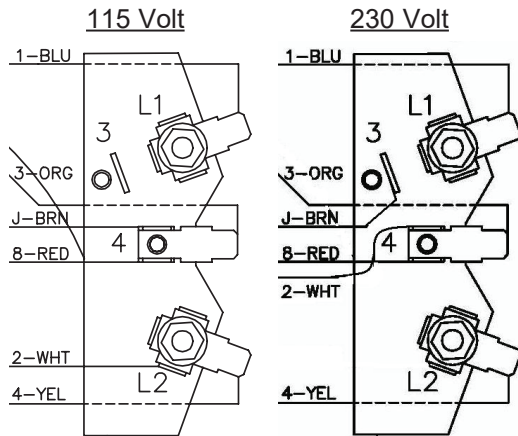
## Monarch/Bucher Powerpack Assembly (9/2010-present)



## Monarch/Bucher Powerpack Components

| Item | Quantity | Part Number | Description                                    |
|------|----------|-------------|--|
| A    | 2        | 9301-0109   | Fitting, #6 SAE to #6 JIC                      |
| B    | 1        | 8581-0128   | Valve, Sequence, S1 (Red Tip)                  |
| C    | 1        | 8581-0136   | Valve, Sequence, S2 (Silver Tip)               |
| D    | 1        | 8581-0151   | Needle valve, Down Speed                       |
| E    | 1        | 8581-0150   | Valve, Pilot Operated Check                    |
| F    | 1        | 9301-0232   | Strainer, Suction                              |
| G    | 1        | 9301-0233   | Reservoir, Plastic                             |
| H    | 1        | 9301-0234   | Clamp, Reservoir                               |
| I    | 1        | 9301-0235   | Breather                                       |
| J    | 1        | 0521-0007   | Elbow, 90° 1/4 NPT Male x 1/4 Tube             |
| K    | 1        | 0521-0161   | Fitting, Reducer, Pipe, 3/4" NPTM to 1/4" NPTF |

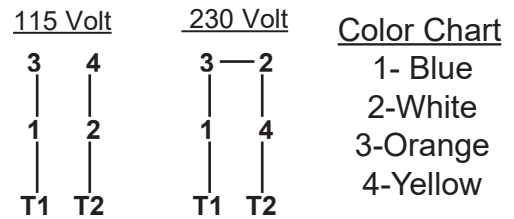
### Early Monarch Single Phase Wiring



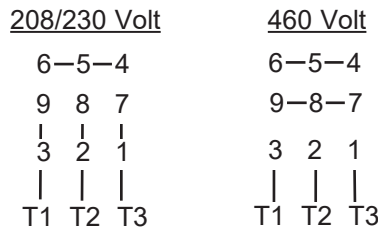
**Notes:**

Low Voltage: Move Lead J to Term. 4, Lead 2 to Term. L2  
 High Voltage: Move Lead J to Term. 3, Lead 2 to Term. 4.

### Current Monarch Single Phase Wiring



### Monarch Three Phase Wiring

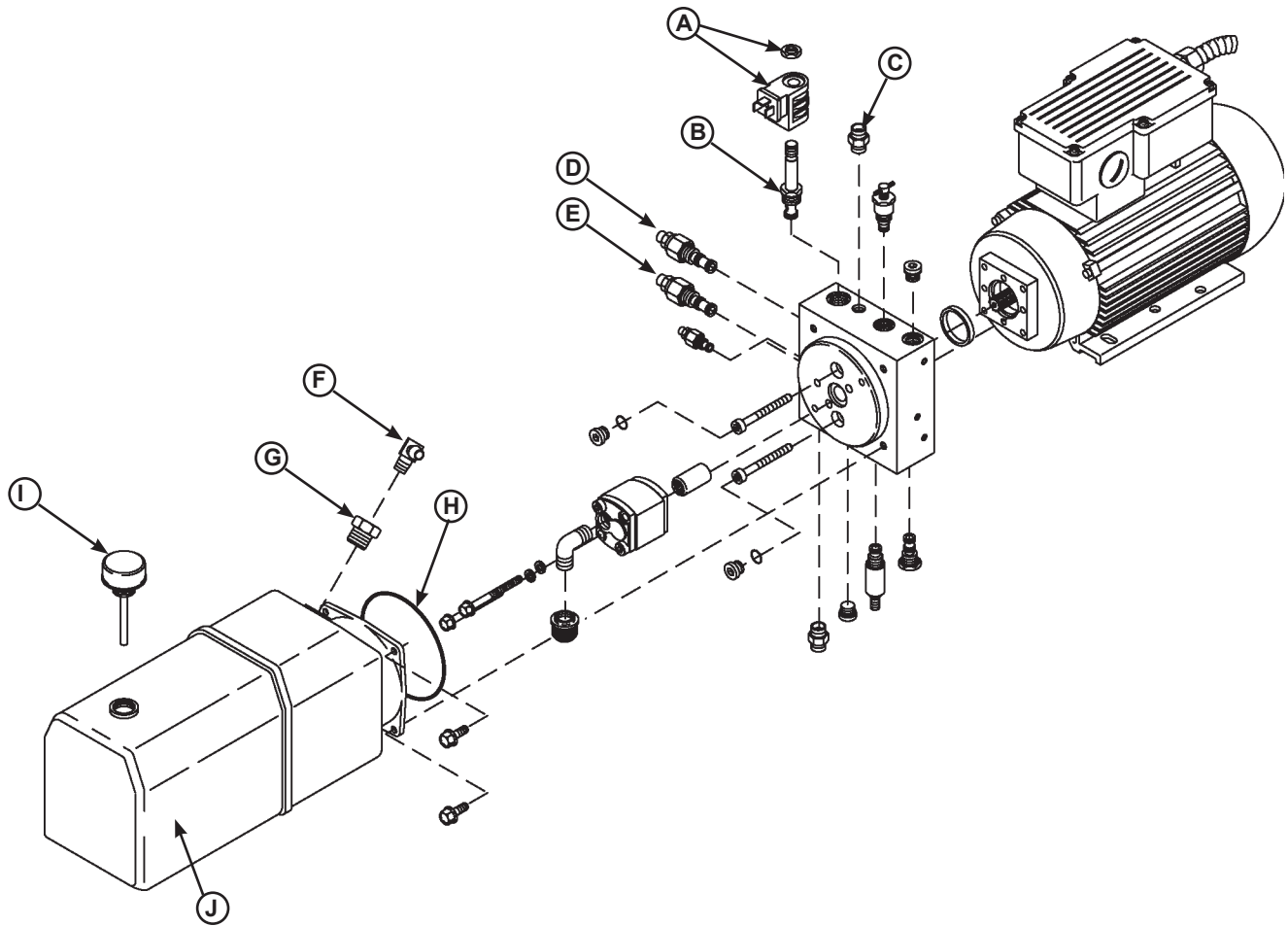


<sup>1</sup> Provide dock leveler serial number and type of installation when e-mailing, calling or faxing orders.

<sup>2</sup> Provide dock leveler serial number, voltage, and phase when e-mailing, calling or faxing orders.

# PARTS

## Hoke/KTI Powerpack Assembly (pre-9/2010)

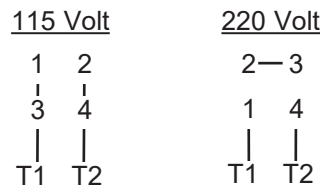




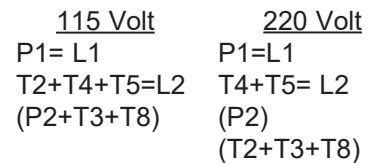
## Hoke/KTI Powerpack Components

| Item | Quantity | Part Number | Description                                    |
|------|----------|-------------|--|
| A    | 1        | 8581-0134   | Coil & Nut for 8581-0133 Valve                 |
| B    | 1        | 8581-0133   | Valve, 2 Way Normally Open                     |
| C    | 2        | 9301-0109   | Fitting, #6 SAE to #6 JIC                      |
| D    | 1        | 8581-0128   | Valve, Sequence, S1 (Silver Tip)               |
| E    | 1        | 8581-0136   | Valve, Sequence, S2 (Red Tip)                  |
| F    | 1        | 0521-0007   | Elbow, 90° 1/4 NPT Male x 1/4 Tube             |
| G    | 1        | 0521-0161   | Fitting, Reducer, Pipe, 3/4" NPTM to 1/4" NPTF |
| H    | 1        | 9391-0032   | O-Ring, Powerpack                              |
| I    | 1        | 9391-0031   | Breather, Hoke Powerpack                       |
| J    | 1        | 9391-0030   | Reservoir, 4 Quart, Hoke H8                    |

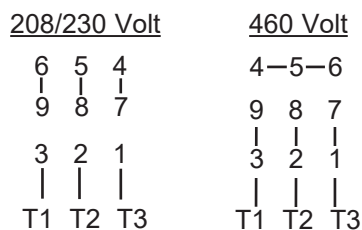
### Early Hoke Single Phase Wiring



### Late Hoke Single Phase Wiring



### Hoke Three Phase Wiring



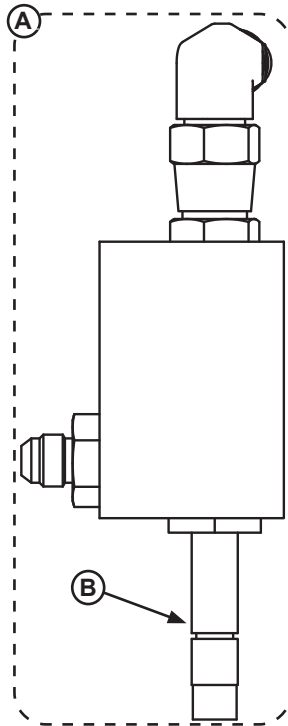
<sup>1</sup> Provide dock leveler serial number and type of installation when e-mailing, calling or faxing orders.

<sup>2</sup> Provide dock leveler serial number, voltage, and phase when e-mailing, calling or faxing orders.

# PARTS

---

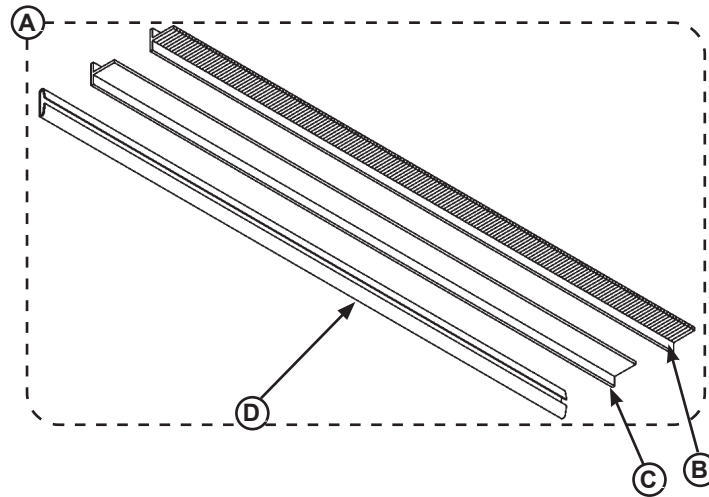
## Valve Block - Emergency Stop/Lip Out



| Item | Quantity | Part Number | Description                                       |
|------|----------|-------------|---|
| A    | 1*       | 8583-0072   | Valve Assembly, Emergency Stop/Lip Out - Complete |
| B    | 2        | 8581-0116   | Cartridge Valve, 2-Way N.O. Spool                 |

\*Provide dock leveler serial number when e-mailing, calling or faxing orders.

## Weather Seals

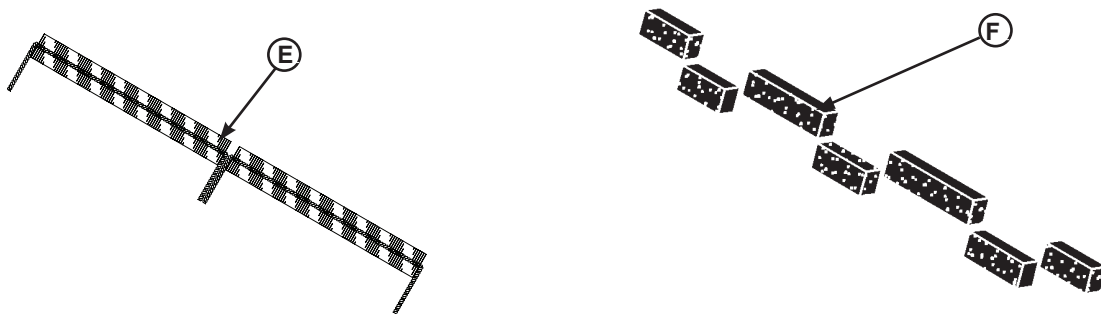


### Weather Seal Kits

| Item | Quantity | Part Number | Description  |
|------|----------|-------------|--|
| A    | 1        | 0195-0021   | Brush Kit (Includes Seal and Track), 1-1/2 in. 82" Lg. (Both Sides)  |
|      | 1        | 0195-0033   | Rubber Kit (Includes Seal and Track), 1-1/2 in. 82" Lg. (Both Sides) |

### Individual Replacement Seals

| Item | Quantity | Part Number | Description                      |
|------|----------|-------------|----------------------------------|
| B    | 1        | 0192-0098   | Brush Refill, 1-1/2 in. 82" Lg.  |
| C    | 1        | 0192-0085   | Rubber Refill, 1-1/2 in. 82" Lg. |
| D    | 1        | 0192-0146   | Replacement Channel              |



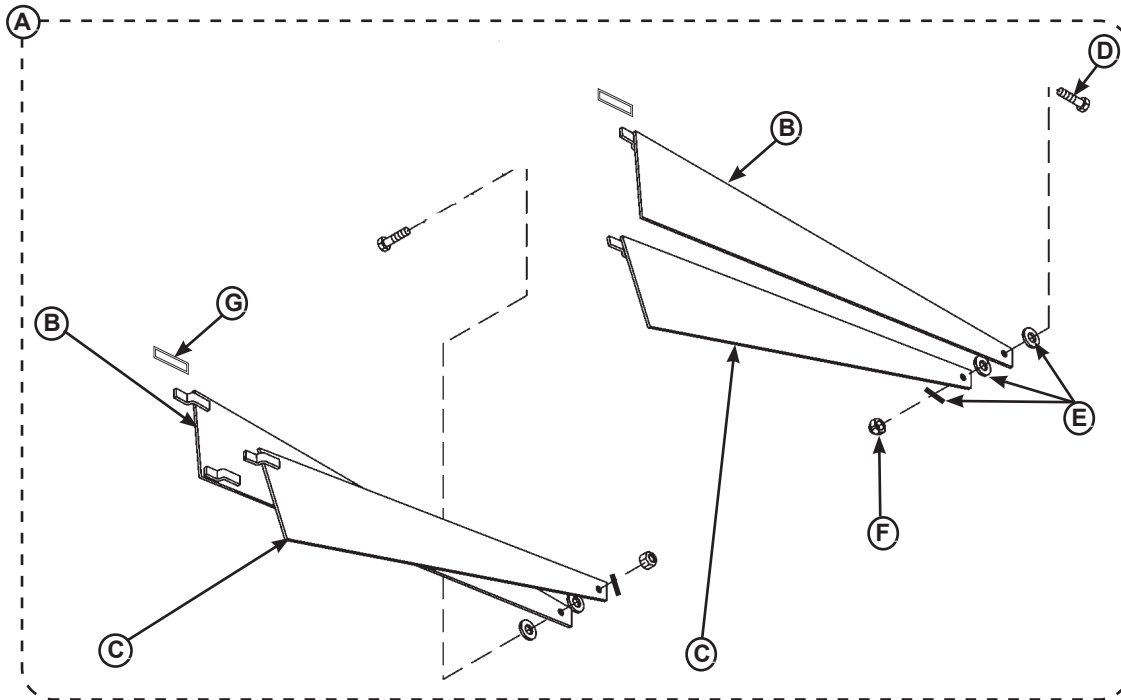
### Rear Seals

| Item | Quantity | Part Number | Description  |
|------|----------|-------------|--|
| E    | 1        | 0195-0044   | Rear Brush Weather Seal, Universal                         |
| F    | 1        | 0195-0046   | Rear Foam Seal, Self-Adhesive, Pre-Cut, 6' Wide Levelers   |
|      |          | 0195-0047   | Rear Foam Seal, Self-Adhesive, Pre-Cut, 6.5' Wide Levelers |
|      |          | 0195-0048   | Rear Foam Seal, Self-Adhesive, Pre-Cut, 7' Wide Levelers   |

\* Provide dock leveler serial number and size of platform when e-mailing, calling or faxing orders.

# PARTS

## Toe Guards



| Item | Quantity | Part Number | Description                                      |
|------|----------|-------------|--|
| A    | 1        | DKIT-9179   | Toe Guard Kit, Sliding 6' (Includes Both Sides)  |
|      |          | DKIT-9180   | Toe Guard Kit, Sliding 8' (Includes Both Sides)  |
|      |          | DKIT-9181   | Toe Guard Kit, Sliding 10' (Includes Both Sides) |
| B    | 2        | 0011-0052   | Toe Guard, Middle (6 Foot)                       |
|      |          | 0011-0054   | Toe Guard, Middle (8 Foot)                       |
|      |          | 0011-0056   | Toe Guard, Middle (10 Foot)                      |
| C    | 2        | 0011-0051   | Toe Guard, Lower (6 Foot)                        |
|      |          | 0011-0053   | Toe Guard, Lower (8 Foot)                        |
|      |          | 0011-0055   | Toe Guard, Lower (10 Foot)                       |
| D    | 2        | DOTH-2043   | Screw, HHCS, 3/8-16 x 1.25                       |
| E    | 6        | 2101-0060   | Washer, Flat, 3/8"                               |
| F    | 2        | 2101-0040   | Locknut, Nylon Insert, 3/8-16                    |
| G    | 2        | 0011-0010   | Platform Mounting Tab                            |

\* Provide dock leveler serial number and size of platform when e-mailing, calling or faxing orders.

Customer Information

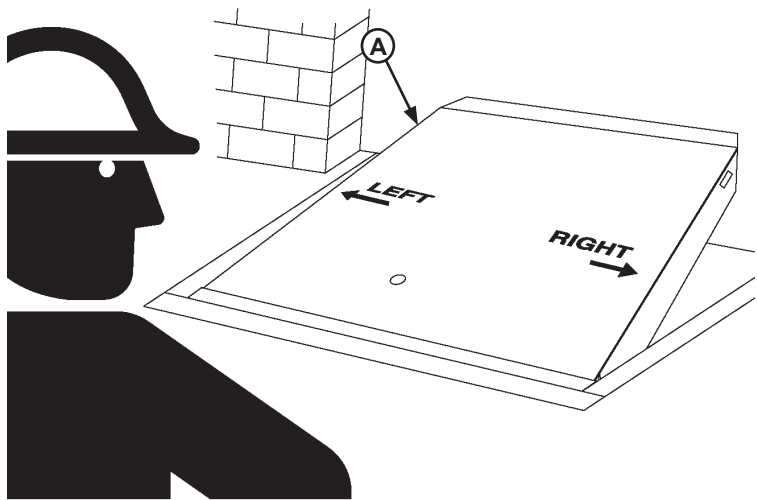


Figure 36



Figure 37

NOTE: Refer to Figure 36 for left/right orientation of dock leveler and Figure 37 for example of decal.

The LEVELER model/serial number decal is located on the left platform joist near the front (lip) of dock leveler (A).

When you receive your new equipment, write down the model and serial number in the form provided. This will help ensure safe keeping of the numbers in the event the model/serial number decal (A, B) becomes lost or damaged.

Also, write down Systems, LLC's order number, the company that installed the dock leveler, and the original owner's name. This will all help to identify the specific dock leveler if more information is required.

When ordering, use part numbers and description to help identify the item ordered. Do not use "item" numbers. These are only for locating the position of the parts. Always give dock leveler MODEL NUMBER and/or SERIAL NUMBER.

For service, call or contact:

Systems, LLC  
P.O. Box 309  
Germantown, WI 53022

Phone: (800) 643-5424  
Fax: (262) 255-5917

www.loadingdocksystems.com

|   |                |
|---|----------------|
| <b><u>Dock Leveler Information</u></b>      |                |
| Model                                       | _____          |
| Serial No.                                  | _____          |
| Systems, LLC, Job No.                       | _____          |
| <b><u>Vehicle Restraint Information</u></b> |                |
| Model                                       | _____          |
| Serial No.                                  | _____          |
| Systems, LLC Order No.                      | _____          |
| <b><u>Original Owner Information</u></b>    |                |
| Name  | _____          |
| Address                                     | _____<br>_____ |
| <b><u>Installer Information</u></b>         |                |
| Name  | _____          |
| Address                                     | _____<br>_____ |
| Date of Installation                        | _____          |

## STANDARD PRODUCT WARRANTY

SYSTEMS, LLC warrants that its products will be free from defects in design, materials and workmanship for a period of one (1) year from the date of shipment. All claims for breach of this warranty must be made within 30 days after the defect is or can with reasonable care, be detected. In no event shall any claim be made more than 30 days after this warranty has expired. In order to be entitled to the benefits of this warranty, the product must have been properly installed, maintained and operated in accordance with all manufacturer's recommendations and/or specified design parameters and not otherwise have been subject to abuse, misuse, misapplication, acts of nature, overloading, unauthorized repair or modification, application in a corrosive environment or lack of maintenance. Periodic lubrication, adjustment and inspection in accordance with all manufacturers' recommendations are the sole responsibility of the Owner/User.

In the event of a defect, as determined by SYSTEMS LLC, covered by this warranty, SYSTEMS LLC shall remedy such defect by repairing or replacing any defective equipment or parts, bearing the cost for the parts, labor and transportation. This shall be exclusive remedy for all claims whether based on contract, negligence or strict liability.

## WARRANTY LIMITATIONS

THE ABOVE WARRANTIES ARE IN LIEU OF ANY OTHER WARRANTIES, WHETHER EXPRESSED OR IMPLIED, INCLUDING BUT NOT LIMITED TO ANY IMPLIED WARRANTY OF MERCHANTABILITY OR FITNESS FOR A PARTICULAR PURPOSE. SYSTEMS LLC AND ITS SUBSIDIARIES SHALL NOT IN ANY EVENT BE LIABLE TO ANYONE, INCLUDING THIRD PARTIES, FOR INCIDENTAL, CONSEQUENTIAL OR SPECIAL DAMAGES OF ANY KIND INCLUDING BUT NOT LIMITED TO, BREACH OF WARRANTY, LOSS OF USE, LOSS OF PROFIT, INTERRUPTION OF BUSINESS OR LOSS OF GOODWILL.

## PRODUCT SPECIFIC WARRANTY "DH" SERIES LEVELER

In addition to the "Standard Product Warranty" provided with all DLM® products, Systems LLC, guarantees materials, components and workmanship to be free of defects for the following extended periods:

- Structural Warranty – For an additional period of nine (9) years, product will carry a **prorated** structural warranty. This warranty specifically applies to; the deck section, lip section, frame, rear hinge assembly and front hinge assembly only. This warranty covers structural repairs to or replacement of dock leveler in Systems LLC sole discretion and expense including reasonable labor, materials, freight and travel. If Systems LLC determines replacement is necessary, it will provide the original purchaser with a credit toward the purchase of the new replacement Systems LLC product in the amount equal to the original purchase price of the warranted product F.O.B. point of manufacture, discounted on a ten year straight line basis by the number of years of use prior to replacement.
- Hydraulic Warranty – For an additional period of two (2) years, for parts, labor and freight, this warranty specifically applies to; the hydraulic pump and motor, all hydraulic cylinders, hydraulic pressure lines and fittings only.