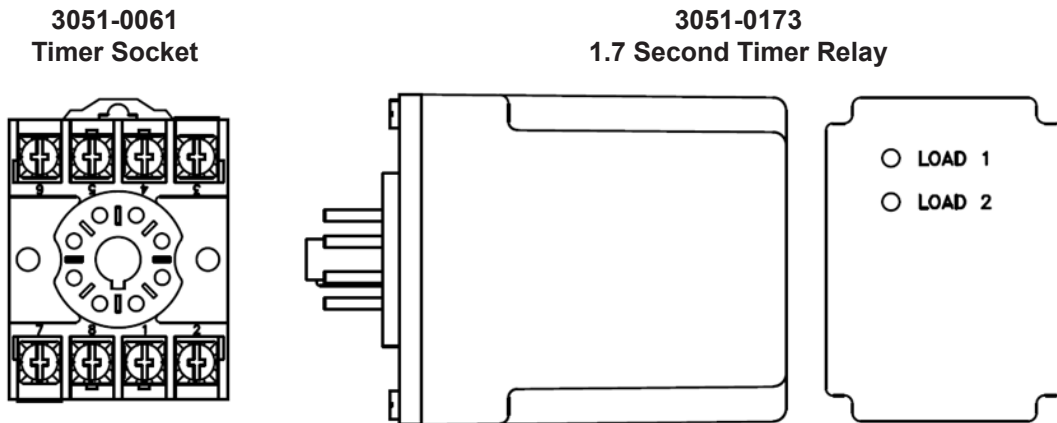


TPR Timer Changeover

In 2013, Systems, LLC updated the timer relay component in Poweramp, DLM and McGuire TPR restraint control boxes due to availability issues with the original timer relay. The original timer, part number 3051-0055, is now obsolete and has been replaced with a new socketed timer relay setup, part numbers 3051-0061 and 3051-0173.



Systems, LLC no longer stocks and is unable to source the original timer relay. If the original timer relay fails, or if the unit is being upgraded to a TPR UniLock* with a conversion kit, it is necessary to upgrade to the new-style timer relay and socket.

Retrofitting the current timer relay and socket requires minor rewiring of the control box. On the following pages, this Technical Service Bulletin provides the information and wiring diagrams necessary to replace the obsolete TPR timer relay with the current timer relay and socket.

***Note:** TPR UniLock units use a 3.0 second timer relay, part number 3051-0209. All units sold new as UniLocks already have the 3051-0061 socket and 3051-0209 timer and will not require this service. If a TPR unit manufactured before mid-2013 is being converted to a UniLock with a Systems, LLC conversion kit, this procedure must be completed with the timer and socket included in the conversion kit.

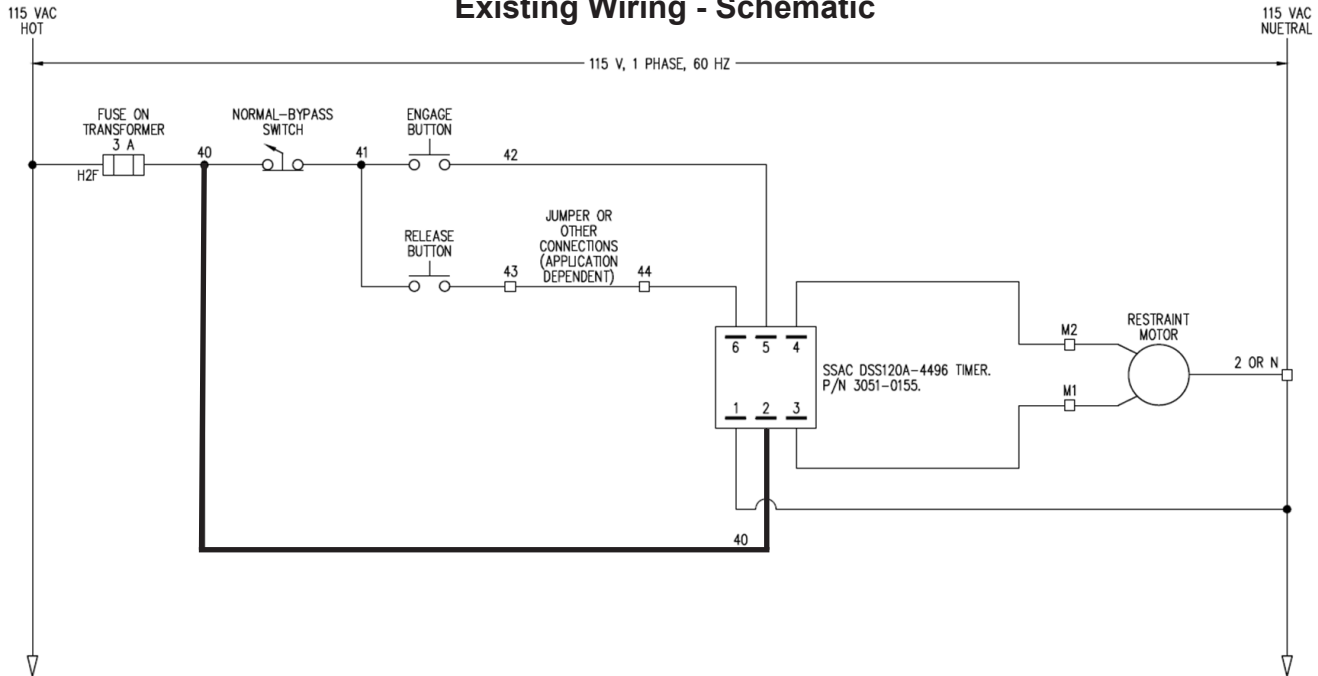
CAUTION

These instructions are for use by qualified service professionals only. If you are not qualified to work on restraint electrical power supplies - **STOP! DO NOT PROCEED!**

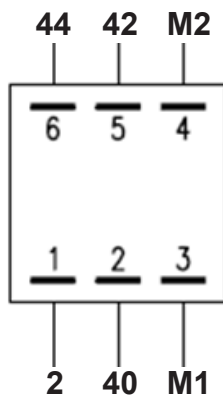
Before performing service, always make sure that the power source has been locked out and tagged out according to OSHA regulations and approved local electrical codes. All wiring should be installed by a qualified electrician in accordance with all national and local electrical codes.

TPR Timer Changeover Instructions

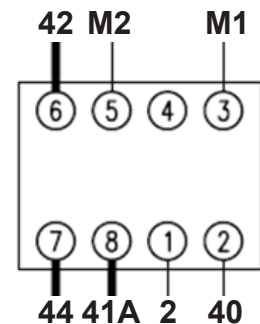
Existing Wiring - Schematic



1. Post safety warnings and barricade the work area.
2. Shut off power to the restraint and controls, and perform Lock Out/Tag Out procedures according to OSHA regulations and approved local electrical codes.
3. Open the TPR control box and locate wiring shown in schematic.
4. Remove wire (40) from between the Normal-Bypass switch and terminal (40). Remove all labels that identify this as wire (40); relabel this wire as (41A).
5. Remove the wires from the old timer, using the following chart to label the wires for the new timer socket:



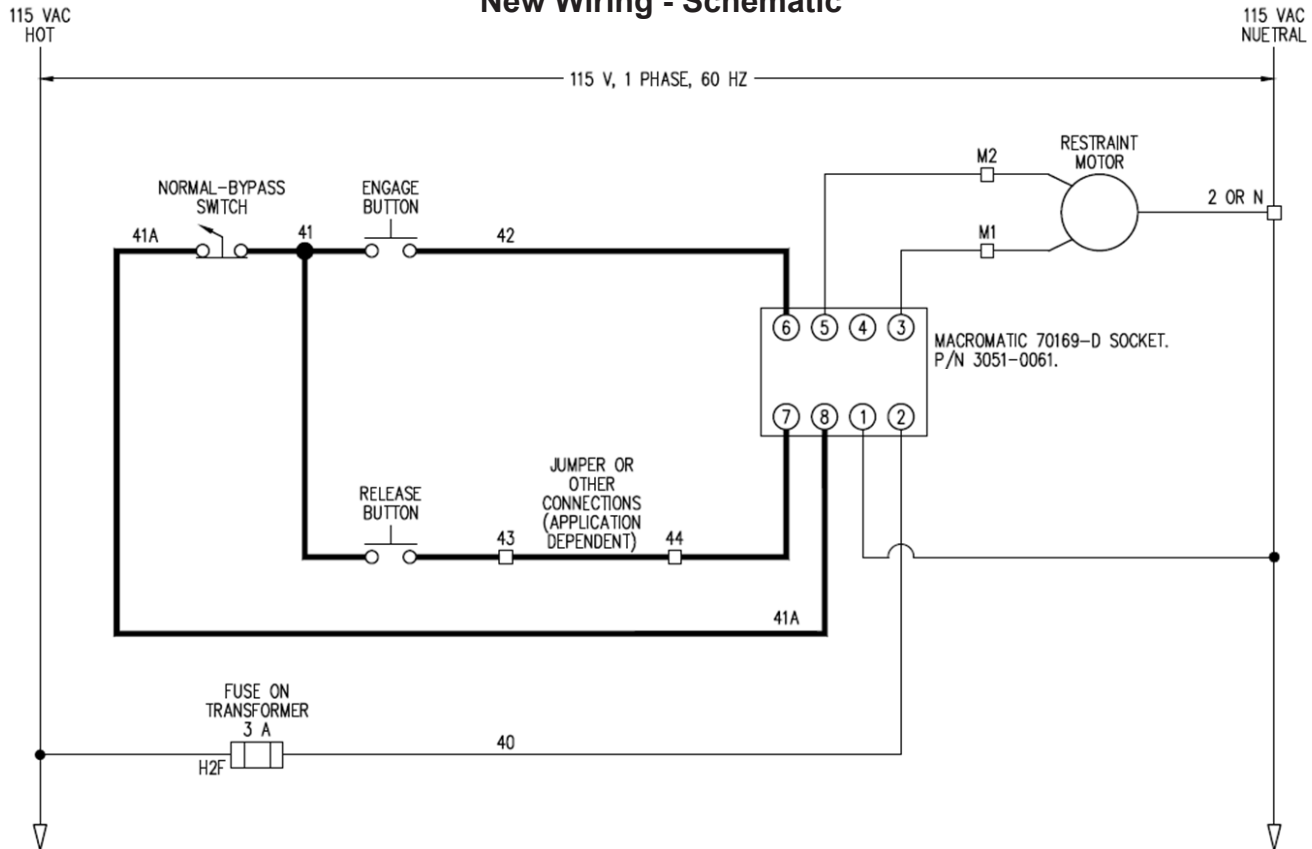
Existing Timer Terminal No.	Wire Number	New Timer Terminal No.
1	2	1
2	40	2
3	M1	3
4	M2	5
5	42	6
6	44	7
N/A	41A	8



NOTE: Terminal (4) is NOT USED on the new timer base.

TPR Timer Changeover Instructions (continued)

New Wiring - Schematic



6. Unscrew existing timer relay and remove from control box.
7. Using two #8-32x1.00 self-tapping screws (part number **2101-0026**), mount the new timer base in the control box where the previous timer was located.
8. Using the chart on page 2 as a reference, complete wiring to the new timer base.

Notes for wire numbers 41, 41A, 42, 43 & 44 connected to the new socket & timer

1. These wires must be kept separate and a minimum of 1 inch away from all other wires.
2. These wires can be bundled together with one another, but do not bundle these wires with any other wires.
3. These wires can be housed together with one another in the same duct/raceway, but do not house these wires in the same duct/raceway with any other wires.
4. When these wires cross over/under any other wires, do so at as much of a 90-degree angle as possible.

9. Install the new timer relay by pushing it into the timer base, making note of the locating slot.
10. Restore power to restraint and controls.
11. Verify correct operation of restraint by testing interlocks (if equipped), engage and release cycles.
12. Return restraint to service.