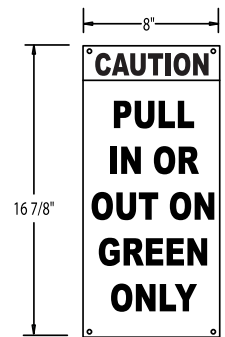
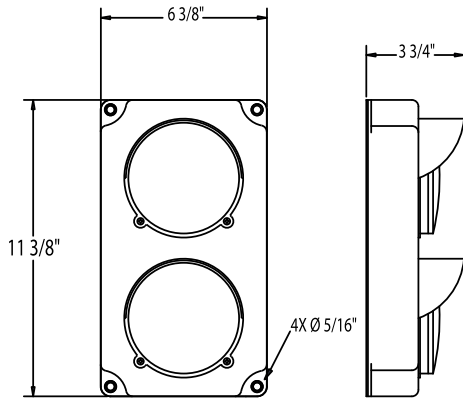


iDock™ Controls Specification Sheet and Submittal



STANDARD FEATURES FOR iDOCK CONTROLS

- Advanced Controls of Loading Dock Equipment
- Interactive Message Display with System Information
- View Equipment Usage and Maintenance History
- Raised Dome Button Design for Ease of Use
- Fault Code Troubleshooting Display and Internal LED Lights
- Optional Integrated Controls of all DLM Dock Equipment and Dock Door Installed
- 3-Color Light Communication System
- LED Interior and Exterior Lights
- UL 4X Nonmetallic Enclosure
- Made in the USA

iDock™ Controls Specification Sheet and Submittal

GENERAL DESCRIPTION: iDock Controls are technologically advanced push-button controllers and light communication used with various DLM loading dock equipment. iDock Controls are standard with all automatic DLM vehicle restraints, used with or without dock levelers.

CONSTRUCTION: iDock Controls are made with UL 4X Nonmetallic enclosures. The controls feature a modular design to reduce maintenance costs. 3-in-1 light assembly on the controller shows the state of the station and whether it is safe to enter the trailer. LCD display shows status of controls and explains fault conditions. Metal dome buttons provide positive feedback to the controls.

MESSAGE DISPLAY: iDock Controls feature an LCD interactive message display for equipment information, system information, maintenance history, counters and settings. The operator presses the Menu button, then up and down arrows to navigate through the menu. Press Enter to advance one screen, or Menu to go back. The Message Display will also provide notices of faults, or instructions for Bypass mode or a sequence of operation.

OPERATION: iDock Controls can be used to operate light communication, vehicle restraint, dock leveler, overhead door, and/or light accessories. The operator presses the appropriate dome button to operate each component. Depending on the options selected, a sequence of operation can be applied to only allow operation of each component in a specific order. If operation is

attempted out of sequence, the controller's Message Display will indicate the correct button to press next.

Using the controller Menu, the operator can place the dock equipment in Bypass mode if necessary, where the exterior light is red and an interior amber caution light accompanies a green light indicating to the dock attendant to proceed with caution.

EXTERIOR LIGHTS: Low profile, traffic style, red and green LED lights opposite of interior lights are standard for communication to the truck driver. A set of caution signs warns the truck driver to "Back In or Pull Out On Green Light Only".

WARRANTY: iDock Controls feature a full one (1) year base warranty on all structural, mechanical and electrical parts, including freight and labor charges in accordance with Systems, LLC's Standard Warranty Policy. Systems, LLC warrants all components to be free of defects in materials and workmanship, under normal use, during the warranty period. This base warranty period begins upon the completion of installation or the sixtieth (60th) day after shipment, whichever is earlier.

Integrated Control Panel Shown
 (Standard Size)



Equipment and Options with iDock Controls <small>(Select all that apply)</small>			
RESTRAINTS	INTERLOCKING <small>(Select one)</small>	OPTIONS <small>(Select all that apply)</small>	
<input type="checkbox"/> PowerHold® <input type="checkbox"/> TPR UniLock® <input type="checkbox"/> TPR® <input type="checkbox"/> PowerStop® AAL <input type="checkbox"/> PowerStop® MAL <input type="checkbox"/> Light Communication Only - See OPTIONS	<input type="checkbox"/> None <input type="checkbox"/> (1) Restraint Engaged Before Leveler Operate <input type="checkbox"/> (2) Restraint Engaged Before Door Open <input type="checkbox"/> (3) Leveler Stored Before Restraint Release <input type="checkbox"/> (4) Leveler Stored Before Door Closed <input type="checkbox"/> (5) Door Open Before Restraint Engage <input type="checkbox"/> (6) Door Closed Before Restraint Release <input type="checkbox"/> Combination 1/3 <input type="checkbox"/> Combination 2/6 <input type="checkbox"/> Combination 5/1/3/4 <input type="checkbox"/> Combination 1/2/3/4/6	<input type="checkbox"/> 3-Button Door Controls <input type="checkbox"/> Audible Alarm <input type="checkbox"/> Below Dock End Cycle Control <input type="checkbox"/> Disconnect - Flange Fused <input type="checkbox"/> Disconnect - Flange Non-Fused <input type="checkbox"/> Disconnect - Rotary Fused <input type="checkbox"/> Disconnect - Rotary Non-Fused <input type="checkbox"/> Dock Light Control - Automatic with Door Position <input type="checkbox"/> Dock Light Control - Automatic with Leveler Position <input type="checkbox"/> Dock Light Control - Manual <input type="checkbox"/> Edge Light Controls <input type="checkbox"/> Emergency Stop Push Button <input type="checkbox"/> Guide Light Controls <input type="checkbox"/> Independent Lip Control <input type="checkbox"/> LiftMaster® Logic 5.0 Maintenance System Monitoring	<input type="checkbox"/> Light Communication System - Automatic with Leveler Position <input type="checkbox"/> Light Communication System - Automatic with Door Position <input type="checkbox"/> Light Communication System - Manual <input type="checkbox"/> Receptacle <input type="checkbox"/> Sensor - Fluid Level <input type="checkbox"/> Sensor - Fork Lift <input type="checkbox"/> Sensor - Truck Present
LEVELERS <input type="checkbox"/> Hydraulic Pit Leveler _____ Series <input type="checkbox"/> Pneumatic Pit Leveler _____ Series <input type="checkbox"/> Edge-of-Dock _____ Series <input type="checkbox"/> Mechanical Leveler			VOLTAGE <small>(Select one)</small> <input type="checkbox"/> 115V / 1PH / 60HZ <input type="checkbox"/> 208V / 1PH / 60HZ <input type="checkbox"/> 230V / 1PH / 60HZ <input type="checkbox"/> 208V / 3PH / 60HZ <input type="checkbox"/> 230V / 3PH / 60HZ <input type="checkbox"/> 460V / 3PH / 60HZ <input type="checkbox"/> 575V / 3PH / 60HZ <input type="checkbox"/> 230V / 1PH / 50HZ <input type="checkbox"/> 400V / 3PH / 50HZ

Customer: _____	Certified For Construction: _____
Job: _____	By: _____
Location: _____	Date: _____
Number of Units: _____	Company: _____
Represented By: _____	City & State: _____
Sales Rep: _____	Drawing #: _____

A continuing product improvement process is in effect at Systems, LLC We reserve the right to make product changes without prior notice.